

Washers

DIN 9021

(with large outside diameter)

DIN 433

(preferably for cheese head screws)

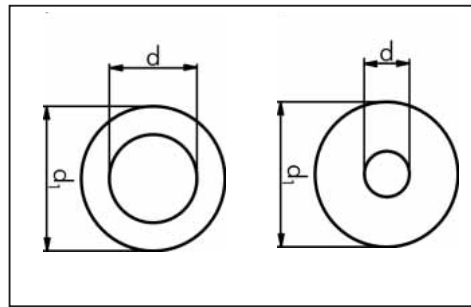
Bare steel

Galvanized, blue passivated steel

Bare brass

A2

Polyamide



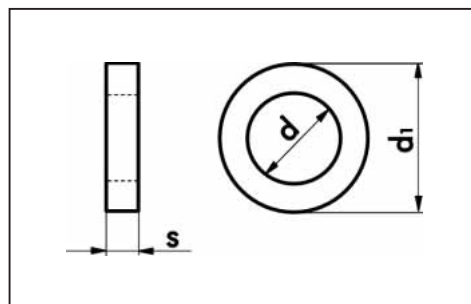
ORSY

DIN 9021

Thr. Dia. in mm	d in mm	d ₁ in mm	h in mm	Steel bare Art. No.	P. Qty.	Steel galv., blue pass. Art. No.	P. Qty.	Brass bare Art. No.	P. Qty.	A2 Art. No.	P. Qty.	Polyamide white Art. No.	P. Qty.	
3	3.2	9	0,8	0417 3	500	0416 3				0419 3	100	0421 03	300	
4	4.3	12	1	0417 4	300/1000	0416 4	300/1000	0418 4 12 0418 5 15 0418 6 18	500	0419 4	100/1000	0421 04	300/1000	
5	5.3	15	1.2	0417 5		0416 5				0419 5		0421 05	300	
6	6.4	18	1.6	0417 6		0416 6				0419 6		0421 06	300/1000	
7	7.4	22	2			0416 7	500			0419 7	500			
8	8.4	24	2	0417 8	100/500	0416 8	100/500	0418 8 24	500	0419 8	100/500	0421 08	300	
10	10.5	30	2.5	0417 10	100	0416 10	100/300	0418 10 30	250	0419 10	100/300	0421 010	50	
12	13	37	3	0417 12		0416 12		0418 12 37	500	0419 12	100	0421 012		
14	15	44	3	0417 14			0416 14	100						
16	17	50	3	0417 16			0416 16				0419 16	100		
16	17	40	6				0416 16 40		25					
18	20	56	4			0416 18	50			0419 18	50			
20	22	60	4	0417 20	50	0416 20				0419 20				

Washers, DIN 433

Thread Dia. in mm	Inside Dia. in mm	Outside Dia. in mm	s in mm	Steel galv., blue pass. Art. No.	P. Qty.	A2 Art. No.	P. Qty.
4	4.3	8	0.5	0414 4	300/1000	0415 4	100
5	5.3	9.5	1	0414 5		0415 5	
6	6.4	11	1.6	0414 6		0415 6	
8	8.4	15	1.6	0414 8		0415 8	
10	10.5	18	1.6	0414 10	100/1000	0415 10	
12	13	20	2	0414 12	100/500	0415 12	
14	15	24	2.5	0414 14	100		
16	17	28	2.5	0414 16	50/500	0415 16	100
18	19	30	2.5	0414 18	100/500		
20	21	34	3	0414 20			



ORSY

Butt Hinge Washers

Bare brass

Galvanized steel, blue passivated (A2K)

Butt Hinge Washer Assortment

Includes: All dimensions x 50 pieces = 200 pieces.

Art. No. 0964 400 0

d mm	d ₁ mm	s mm	Bare brass Art. No.	Galvanized steel Art. No.	P. Qty.
6	10	2	0400 006	0413 02 06	100
8	14		0400 008	0413 02 08	
11	16		0400 011	0413 02 011	
13	18		0400 013	0413 02 013	