

# Elmo Speed Screw

with combination AW drive

- The quick and time-saving combination screw.
- Can be used in almost any electrical application.
- With two different drives in the screw head.
- AW drive for secure working with large quantities and normal slot drive for smaller quantities.

Diameter dia. in mm	Length L in mm	Slot size in mm	Drive size AW	Art. No.	P. Qty.
4	16	1.0 x 5.5	AW 20	<b>0172 14 16</b>	250
	20			<b>0172 14 20</b>	
	25			<b>0172 14 25</b>	
	30			<b>0172 14 30</b>	
	35			<b>0172 14 35</b>	
	40			<b>0172 14 40</b>	
	45			<b>0172 14 45</b>	
	50			<b>0172 14 50</b>	
	60			<b>0172 14 60</b>	
4.5	30	1.2 x 6.5	AW 25	<b>0172 15 30</b>	250
	35			<b>0172 145 35</b>	
	40			<b>0172 145 40</b>	
	45			<b>0172 145 45</b>	
	50			<b>0172 145 50</b>	
	60			<b>0172 145 60</b>	
5	35	1.2 x 6.5	AW 25	<b>0172 15 35</b>	250
	40			<b>0172 15 40</b>	
	45			<b>0172 15 45</b>	
	50			<b>0172 15 50</b>	
	60			<b>0172 15 60</b>	
	70			<b>0172 15 70</b>	
6	40	1.2 x 6.5	AW 25	<b>0172 15 80</b>	100
	50			<b>0172 16 40</b>	
	60			<b>0172 16 50</b>	
	70			<b>0172 16 60</b>	
6	80	1.2 x 6.5	AW 25	<b>0172 16 70</b>	250
	80			<b>0172 16 80</b>	

## Technical data

### ASSY thread

- Saves time and energy.
- High torque.

### AW drive

- Improved power transmission.
- Optimum centring.
- Largest possible contact surface of bit.
- Minimal ejection forces.

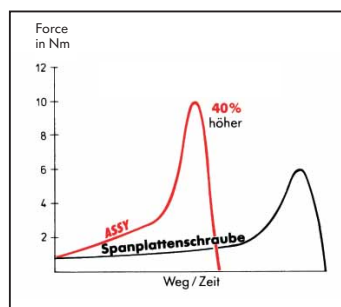
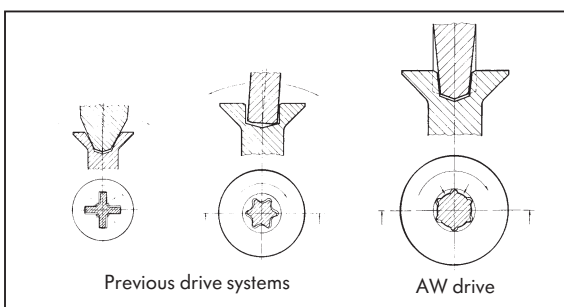
### Head

- Pan head.
- Combination AW/slot drive.

- Galv. steel, blue passivated

## Additional products

- Universal Bit Holder, Art. No. 0614 176 ...
- AW bits: see table below.
- Screwdriver with AW drive, Art. No. 0613 362.
- Slotted Screwdriver.
- Shark Dowel; Master Nylon Dowel; Gypsum Plasterboard Dowels W-GS; Plastic Hollow-Wall Dowels W-KH.



## Recommended dowels

Elmo Speed Screw		Dowel dia. in mm	Shark dowel without collar Art. No.	Shark dowel with collar Art. No.	P. Qty.
min. dia. in mm	min. length in mm				
4.5	40	6	<b>0906 006 36</b>	<b>0906 006 37</b>	100/200
6	60	8	<b>0906 008 51</b>	<b>0906 008 52</b>	

## AW bits

Size	1/4" bit Art. No.	5/16 bit Art. No.
AW 20	<b>0614 512 0</b>	<b>0614 552 0</b>
AW 25	<b>0614 512 5</b>	<b>0614 552 5</b>