

Performance

Plug diameter [mm]		M6	M8	M10	M12	M16	M20
Recommended load for all load directions	HLZ4; KSL4; LHLZ4	0.3	0.4	0.4	0.4	-	-
	HLZ6; KSL6	0.4	0.5	0.5	0.5	-	-
	HLZ12; KSL12	0.7	0.8	0.8	0.8	-	-
	HBL4; HBN4	0.5	0.65	0.65	0.65	-	-
	Concrete ≥ B15 (pressure zone)	-	2.0	2.8	4.0	5.6	7.0
	Concrete ≥ B25 (pressure zone)	-	2.8	4.0	5.8	8.0	10.0
	Foam mortar ≥ PB2	-	0.8	0.8	0.8	0.8	-

Characteristic values, plug dimensions, accessories

For use of WIT-C150 in hollow bricks please refer to the specifications in Product Info **24** WIT-C 200

For use of WIT-C150 in solid building materials please refer to the specifications in Product Info **23** WIT-C 100

Plug dimensions

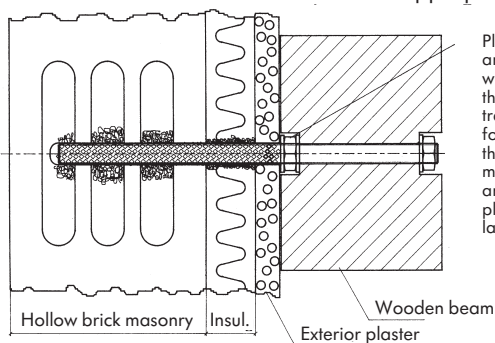
Art. No.: WIT-C 150 incl. 1 static mixer	Static mixing cartridge 150 ml 0903 415 150 Pack Qty. = 1 / 12	Static mixing cartridge 330 ml 0903 415 300 Pack Qty. = 1 / 12
Static mixer	0903 420 001	Pack Qty. = 10

Special applications

Attachment in masonry with insulating plaster

For example, attachment of awning where compressive forces are transmitted to the insulating plaster.

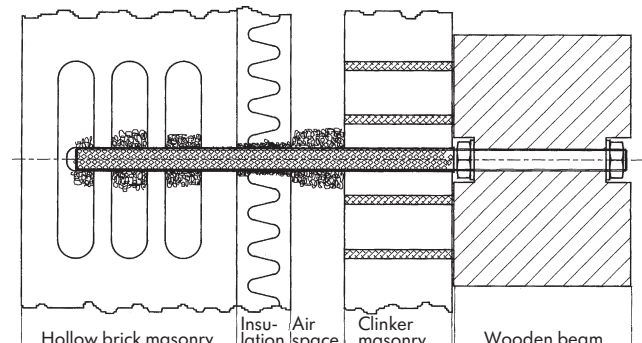
Cut the metal screen sleeve to the appropriate length!



Place hexagon nut and washer where the wooden beam contacts the wall in order to transmit the compressive forces through the threaded rod into the masonry and to prevent any damage to the plaster and insulation layers.

Attachment in double wall masonry

For example, attachment of awning where compressive forces are transmitted to facing masonry.



Würth system components

