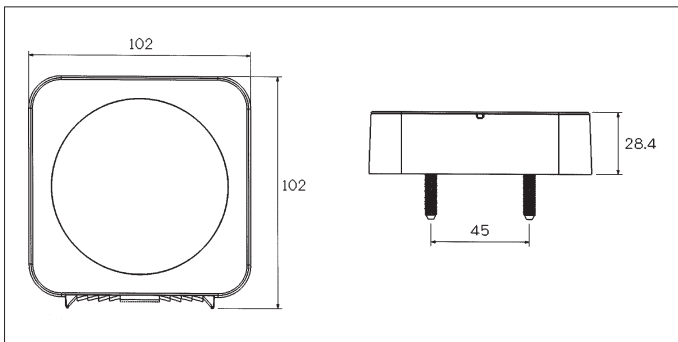


3-CHAMBER LAMP



**Universal, square
LED model
ADR-tested**

- Surrounded by red reflector
- Can be used with 12 and 24 V
- Protection type: IP69K
- Output: 4.6 W
- Incl. mount
- **Connection:** with connection cable, length: 0.5 m

Accessories

Designation	Number required per lamp	Art. No.	P. Qty.
LED Monitor LCG 24 V	1*	0812 46 030	1
LED Monitor, turn signal, 12 V	1	0812 46 040	1
LED Monitor, turn signal, 24 V	1	0812 46 041	1
LED Monitor, tail lamp, 12 V	1	0812 46 051	1
LED Monitor, tail lamp, 24 V	1	0812 46 050	1

* 1 LCG required per truck side (left and right), connect a max. of 2 LED lamps to 1 LCG.

Functions					Left	Right	License plate lamp	Side marker lamp	LED module permissible	Art. No.	P. Qty.
Turn signal, brake, tail lamp	Reversing lamp	Rear fog lamp	Clearance lamp	Reflector							
•				•	•					0812 46 220	1
•				•	•	•				0812 46 221	1