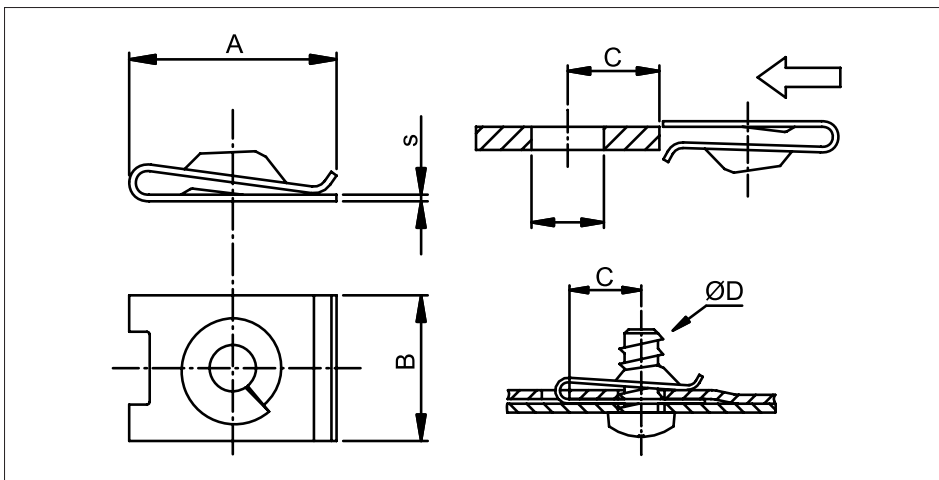


## CLIPS & CLAMPS – SHEET-METAL NUTS



Art. No.	Shape	Dia. D	Att. thickness	A	B	C	Fig.	P. Qty.
0500 535 25	I	M5	0.80-4.30	20.40	15.00	10.50	52	50
0500 533 12	I	M6	0.50-4.00	23.60	16.00	11.50	53	100
0501 101 646	I	M6	0.50-4.00	23.60	16.00	11.50	54	100
0501 104 119	I	M6	0.50-4.80	23.60	16.00	11.50	55	100
0500 408 0**	I	M6	0.70-4.00	23.80	16.00	11.50	56	25
0501 106 061	I	M6	0.80-2.00	18.60	16.30	9.70	57	50
0501 102 005	I	M8	0.80-4.00	27.50	18.00	13.00	58	100
0501 102 026**	I	M8	0.80-4.00	27.50	18.00	13.00	59	10
0501 101 666**	L	4.20	0.80-2.00	16.00	12.00	6.50	60	100
0501 101 645**	L	M5	0.80-4.00	16.60	17.00	7.00	61	100
0500 132 04	N	6.30	0.70-1.50	24.70	14.50	12.70	62	100
0500 114 03	N	6.30	0.70-1.50	25.00	14.50	12.50	63	100
0501 104 066	R	4.80	1.50-2.50	20.70	18.50	10.00	64	100
0500 595 0	T	M6	0.60-1.50	26.50	18.00	10.00	65	25

\*\* self-locking