

CAR WHEEL MOUNTING RANGE

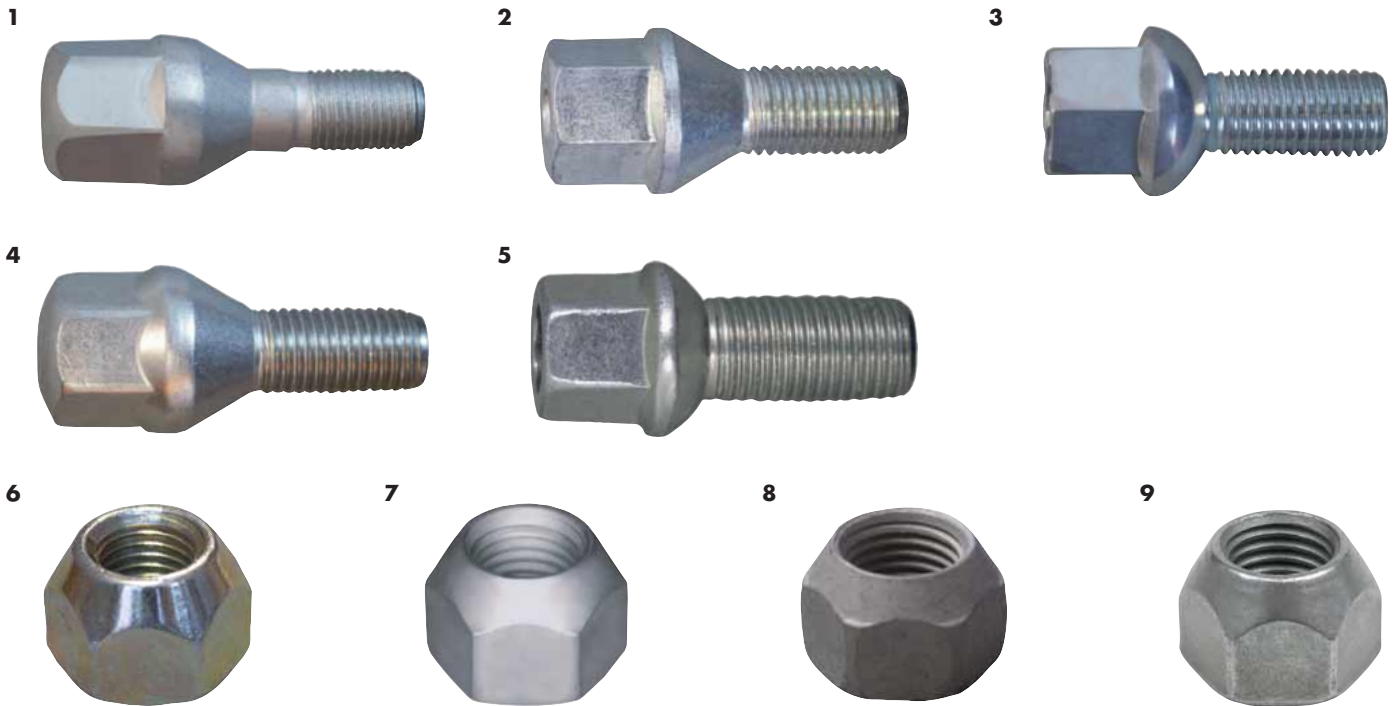
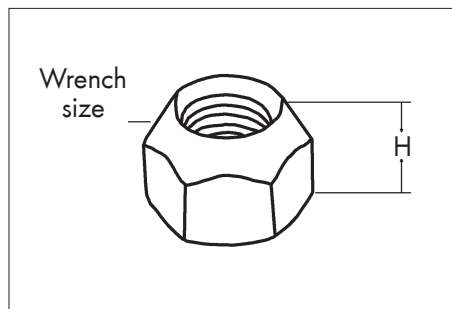
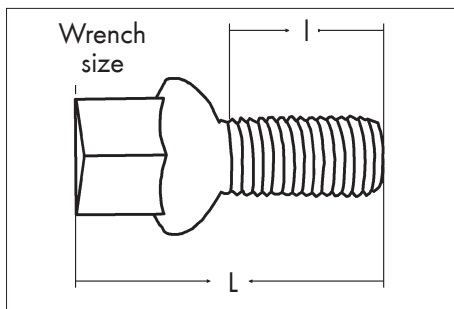


Fig.	G	I	L	H	Wrench size	Quality	Use	Original No.	Surface	Art. No.	P. Qty.
1	M12 x 1.25	17	54	-	19	10.9	Peugeot	5405.55	Geomet silver	0362 121 25	50
2	M12 x 1.5	21	47.5	-	17	10.9	Opel	90473457/1008504	Blue galvanized	0362 412 15	50
3	M12 x 1.5	22.5	45	-	17	8.8	Audi, VW	3A0 601 139	Blue galvanized	0362 312 15	50
4	M12 x 1.5	23	53	-	19	10.9	Renault	8200030701	Blue galvanized	0362 212 15	50
5	M14 x 1.5	25.5	47.5	-	17	8.8	Audi, VW	8D0 601 139 D	Non-color galvanized	0362 014 15	50
6	M12 x 1.5	-	-	16	21	8	Mazda Toyota Mitsubishi	0603-26-161 90942-01007-83 MA103087	Yellow passivated	0362 112 15	100
7	M12 x 1.5	-	-	15	19	10	Ford	1470843	Matte galvanized	0362 120 15	50
8	M14 x 1.5	-	-	15	21	10	Ford	1377748	Matte galvanized	0362 14 15	50
9	M12 x 1.5	-	-	15	19	10	Ford	5114405	Zinc-nickel Passivated, transparent	0362 122 15	50



Observe tightening torques specified by the manufacturers!