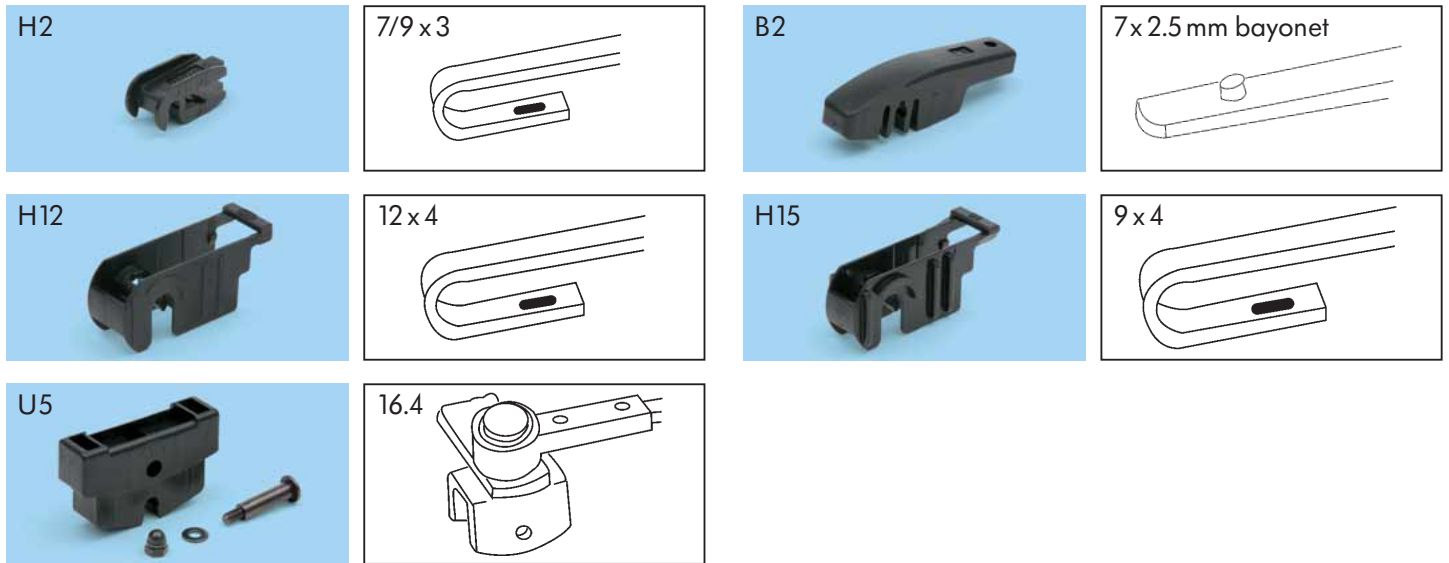
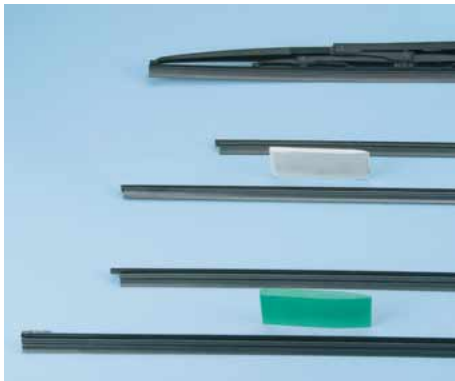


Adapter Overview with Fastening Arm



REFILLS – Replacement Blades for Frame Windshield Wipers



Features

- New-generation click-on system.
- Wiping quality and service life virtually equal to that of original wipers.
- High resistance to temperature and acids.
- UV-resistant.
- Environmentally friendly.
- Suitable for all windshield wipers - whether for rear or front.
- Suitable for all wiper brands.
- Mounting instructions + corresponding template included.
- Industrial package w/ European hole.

Advantages

- Optimal addition to any windscreen wiper assortment.
- Fast, simple installation.
- Immediate coverage of virtually all new vehicles and those being introduced to the market.
- Considerable reduction in time.
- **No** searching for and organizing of "exotic" wipers.
- Minimal stock-keeping required.
- No unsalable items.

Figure No.	Item designation	Length in mm	Profile thickness in mm	Art. No.	P. Qty.
1	Replacement wiper blade for passenger cars	610	6.3	0848 106 10	40
2	Replacement wiper blade for passenger cars	750	6.3	0848 147 50	20
3	Replacement wiper blade for trucks	750	8.5	0848 177 50	10
4	Replacement wiper blade for trucks	1,050	8.5	0848 181 050	10
5	Template, 6.3 mm, (white) for passenger cars	-	6.3	0848 196 30	5
6	Template, 8.5 mm, (green) for trucks	-	8.5	0848 208 30	5

Use



Note: Cut off the refill after guiding in the wiper frame with an excess length of approx. 1.5 cm.

Never press back the bow claws, as this prevents the rubber profile from being able to run in the guide, and therefore negatively affects the wiping pattern!