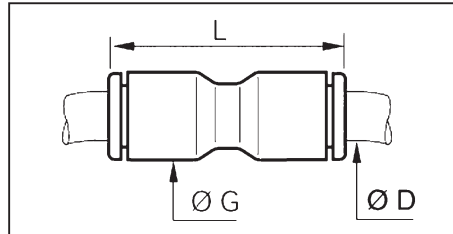


Plastic Plug-In Connectors for Pneumatic Control Lines



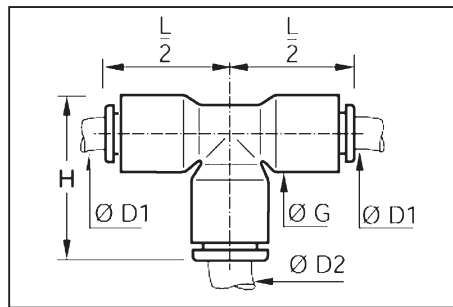
Dia. D in mm	Dia. G in mm	L in mm	Art. No.	P. Qty.
4	8.5	25	0885 01 04	10
5	13.5	41.5	0885 01 05*	
6	10.5	28.5	0885 01 06	
8	13.5	38	0885 01 08	

- Suitable for plastic hoses of different material qualities.
- Not for brake systems, only for secondary consumers.
- Operating temperature: -20°C to +80°C.
- Max. permissible operating pressure 20 bar.

Straight Passage Connectors

- **Material:**
Housing: Polymer H.F.
Seals: Nitrile
Toothed washer: Stainless steel

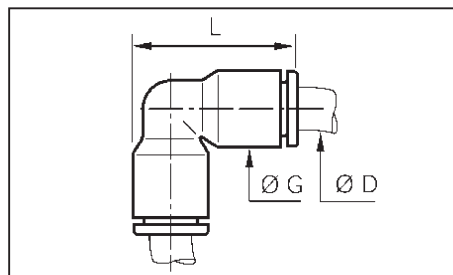
* Connector with brass collet chuck; differs from product description(see above)



Dia. D1 in mm	Dia. D2 in mm	Dia. G in mm	L/2 in mm	H in mm	Art. No.	P. Qty.
4	4	8.5	14.5	19	0885 02 04	10
6	6	10.5	17.5	22.5	0885 02 06	
8	8	13.5	23	29.5	0885 02 08	

T Connectors

- **Material:**
Housing: Polymer H.F.
Seals: Nitrile
Toothed washer: Stainless steel



Dia. D in mm	Dia. G in mm	L in mm	Art. No.	P. Qty.
4	8.5	19	0885 03 04	10
6	10.5	22.5	0885 03 06	
8	13.5	29.5	0885 03 08	

Elbow Connectors

- **Material:**
Housing: Polymer H.F.
Seals: Nitrile
Toothed washer: Stainless steel

Attachment

Insert polyamide pipe into quick-release connector while overcoming slight resistance of O-ring and pressing in pipe as far as possible.

Removal

Press clamping ring against connection and pull out pipe.

Attention

From a certain length, pipes "vibrate", regardless of whether they are of steel, copper or plastic. Therefore, all pipes should be secured on the body or the frame with pipe clamps, rubberised if possible, whereby the distance should be 1 m and may not exceed 1.20 m.