

## SOLVENT-FREE ASSEMBLY ADHESIVE



**Solvent-free, acrylic dispersion-based adhesive with high initial strength for adhering a variety of materials indoors.**

- Can be coated/painted
- Weather-resistant
- Resistant to aging
- Silicone-free
- Styrofoam-compatible
- Stable

Contents in mL	Art. No.	P. Qty.
310	<b>0893 100 100</b>	1/12

### Areas of application:

The wide spectrum of application surfaces includes wood, Styrofoam, steel, aluminum, PVC, hard foams made of PVC and PU, gypsum plasterboard, mineral fiberboards, masonry, concrete and various plasters.

Used for the attachment of baseboards, panels, insulating and decorative boards, wall cladding, thresholds, wood profiles, decorative profiles etc.

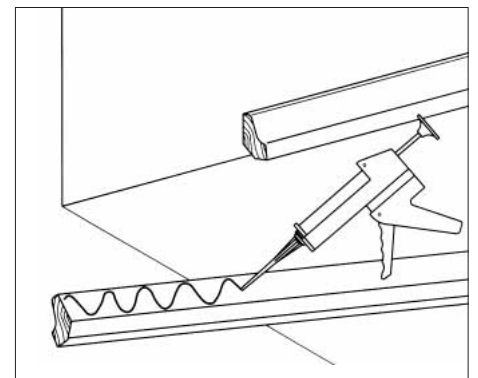
### Note on application:

The application surface must be clean, capable of bearing loads, dry and free of dust and grease.

Apply to the surface to be adhered at a spacing of 20 - 40 cm with horizontal or vertical serpentine lines. Then firmly press on the joint piece.

At least one of the two surfaces to be adhered must be absorbent.

Technical Data:	
Raw material base	Acrylic dispersion
Color	Light beige
Density	Approx. 1.34 g/cm <sup>3</sup> DIN 53217, Part 2
Sag-resistance	< 2 mm DIN EN 27390
Skin formation time	10 min. at +20 °C
Hardening	< 1.5 mm/24 hrs.
Final strength	After approx. 72 hrs.
Solid particle contents	Approx. 72% DIN 53189
Application temperature	+5 °C to +35 °C
Temperature resistance	-25 °C to +80 °C
Shelf life	12 months



With this information, we want to advise you to the best of our knowledge based on our tests and experience. We assume no liability for the application results in individual cases, however, due to the large number of applications and the storage and application conditions that lie outside the scope of our influence. This also applies to the use of the non-binding

technical and commercial customer service we provide. We always recommend that you conduct your own tests. We guarantee the consistent quality of our products. We reserve the right to make technical changes and carry out further development.