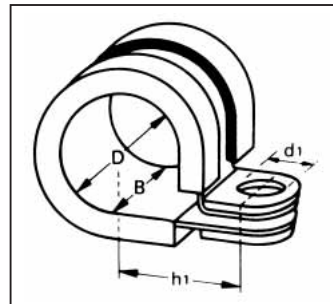


Installation accessories for central lubrication parts



Pipe clamp "Multifix" with rubber profile

D* mm	Width B mm	Hole Ø d1 mm	S mm	Art. No.	P. Qty.	P. Qty. assortment
6	12	M5	8.0 + D/2	0542 6 12	50/100	10
8				0542 8 12		
10				0542 10 12		
12	15	M6	11.2 + D/2	0542 12 15	50	5
15				0542 15 15		
18				0542 18 15		
20				0542 20 15		
22				0542 22 15		
25				0542 25 15		
30	0542 30 15	25	14.5 + D/2	0542 15 20	4	
15	0542 15 20					
20	0542 20 20					
25	0542 25 20					

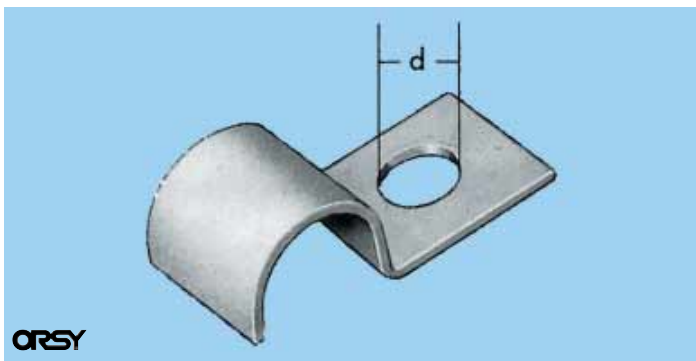
* clamp inside Ø / pipe outside Ø



Multifix assortment

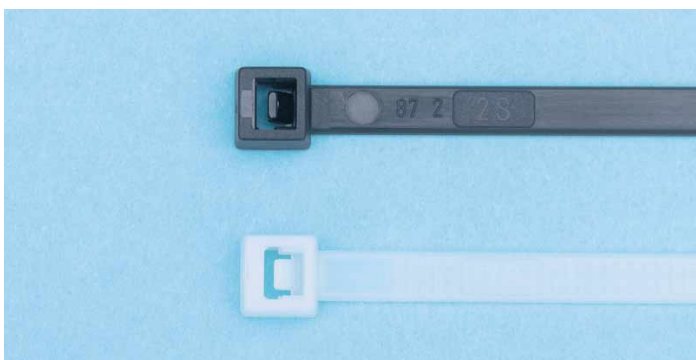
Contents: 12 measures,
73 parts (see column
P. Qty. assortment)

Art. No. 0964 542
P. Qty. 1



Cable clamp DIN 72571

Ø mm	d mm	Width mm	Material thickn. mm	Art. No.	Pack Qty.
4	4.8	10	1.0	0592 4	100
6				0592 6	100/300
8				0592 8	



Cable ties with metal and plastic tab lock colour: black

Width mm	Length mm	Bundling Ø mm	Art. No.	Pack Qty.
3.5	200	1.6- 40	0502 131	100/1000
4.8	280	1.6- 75	0502 151	100/300
7.8	360	1.6-100	0502 181	100



Wrapping tube colour: black

Inside Ø mm	Bundling Ø mm	Wall thickn. mm	Spiral width mm	Art. No.	Qty./m
3.7	4.0- 20.0	0.65	7.0	0771 00 40	25
8.2	12.0- 50.0	0.90	12.0	0771 00 80	
17.6	20.0-120.0	1.20	22.0	0771 00 90	