

COMPRESSED-AIR MULTI-PORT DISTRIBUTOR



Compressed-air distribution system with broad range of possible combinations. Can be modularly expanded to up to 6 compressed-air connections. Simple installation on wall, ceiling or floor. Ready to use.

DMV 3 Standard
Art. No. 0699 357 0

DMV 3 Safety
Art. No. 0699 358 0

Technical Data	
Segment material	Brass, nickel-plated
Coupling material	Galvanized steel
Max. working pressure	16 bar
Supply line connection	G 1/2" female thread
Recommended hose diameter for supply line	11 x 16 mm
Series 2000 quick-action couplings	European Standard 7.6
Temperature range	-30°C to +100°C
Dimensions (L x W x H)	147 x 28 x 73 mm
Weight	850 g

Compressed-air multi-port distributor with three Series 2000 quick-action couplings in standard and safety version.

Several compressed-air connections without the need for elbow or T-pieces.

Flexibility thanks to modular system with unlimited expandability.

One workplace can be equipped with up to six compressed-air connections.

Easy installation. Wall, ceiling and floor mounting possible.

Suitable for immediate, universal use without additional changes.

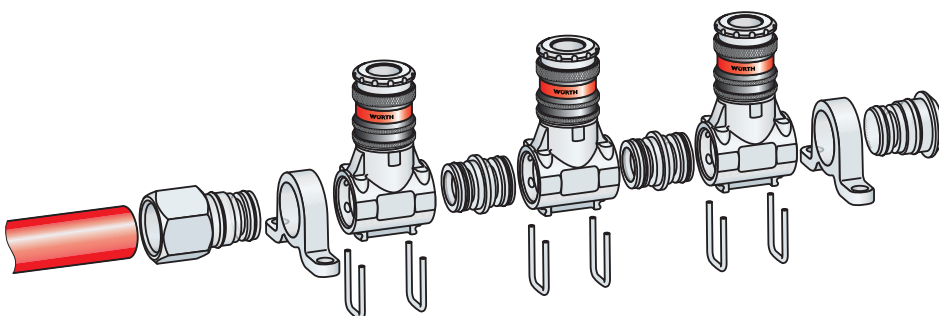
Individual connection segments can be turned individually and adjusted at an angle.

Avoids kinked hoses and provides optimal air supply.

Resistant to oil, gasoline and dirt. Saves energy, space and time.

Extremely rugged and economical.

Delivery scope						
Fig.	Art. No.	Designation	Connection	P. Qty.	in pcs.	
					0699 357 0	0699 358 0
1	0699 357 001	Starting segment	G 1/2" female thread	1	1	1
2	0699 357 002	Extension, Standard	Standard quick-action coupling	1	3	0
3	0699 358 002	Extension, Safety	Safety quick-action coupling	1	0	3
4	0699 357 003	Bracket, 2-piece		1	1	1
5	0699 357 004	Adapter		1	2	2
6	0699 357 006	Plug		1	1	1



The segments can easily be added or replaced by removing the cotter pins.