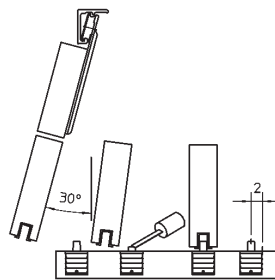
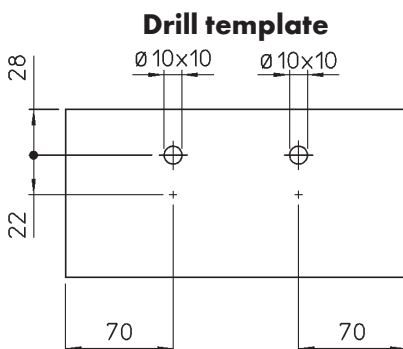
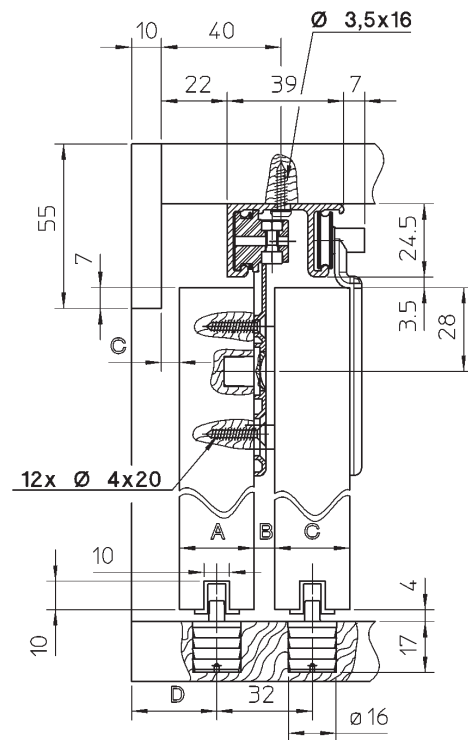
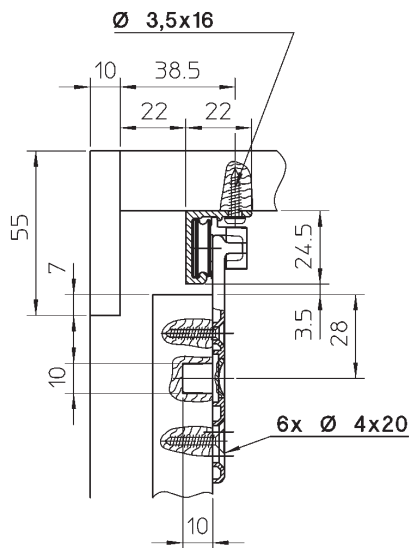
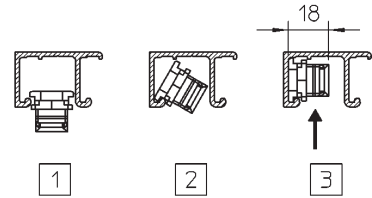
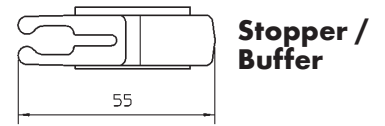
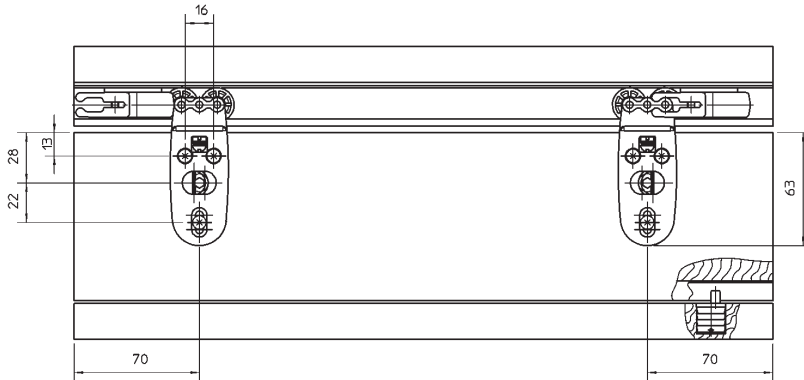


Design information RSB 40 enclosed for door thickness 20–25 mm.



Installation tip:

- ★ In the case of panel height 55 mm, the doors can be fitted and removed subsequently. In the case of a greater panel height, it must be possible to subsequently secure and detach the doors so that they can be fitted and removed.
- ★ When installing the carriages, make sure that the outer carriages do not run over the inner doors when the doors are closed.

- A = Door panel thickness
- B = Gap between 2 panels
- C = Gap between door panel and outer panel
- D = Drilling spacing for floor guide

A	B	C	D
20	11	11	31
23	9	8	29.5
25	7	6	28.5

Specified dimensions not binding. Subject to technical changes!