

STRIKER PLATE FOR ALL MULTIPLE LOCKS

For milling in – 4 mm rebate space



Fig. DIN R

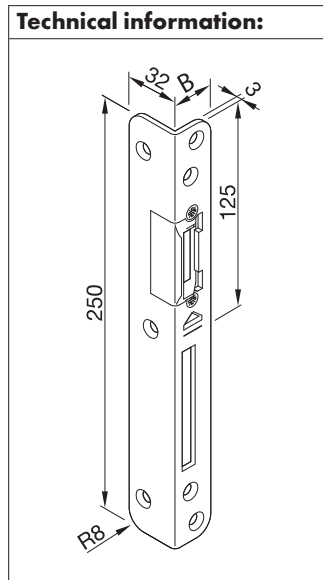
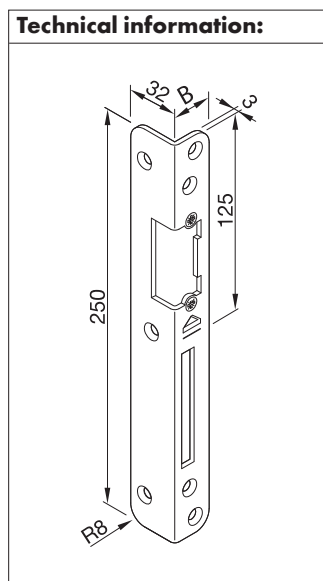


Fig. DIN R



Wooden doors

Application: For mitred wooden doors
 Material: Steel
 Rebate space in mm: 4
 Hinge side: DIN R or DIN L
 Press-on pressure: Adjustable by moving the latch exchange piece/electric opener

Angled striker plate for milling in for 4 mm rebate space

Door attachment	Suitable for cuff width in mm	Axis dimension in mm	B in mm	Art. No. Matt silver	P. Qty.
DIN R	16/20	9/10	25	0688 515 579	1
DIN L				0688 515 580	

Angled striker plate for electric door opener for milling in for 4 mm rebate space

Door attachment	Suitable for cuff width in mm	Axis dimension in mm	B in mm	Art. No. Matt silver	P. Qty.
DIN R	16/20	9/10	25	0688 515 581	1
DIN L				0688 515 582	

Additional articles:

- ! Multiple lock
- Strikers
- Electric door opener
- Milling gauge
- ? Hinges
- Protective fittings