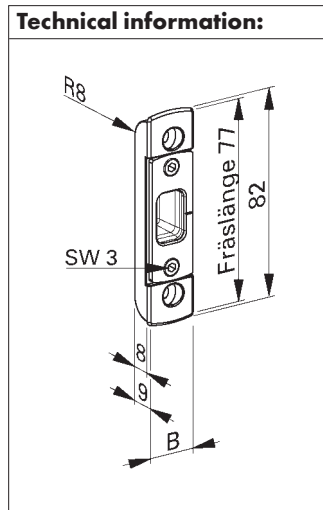
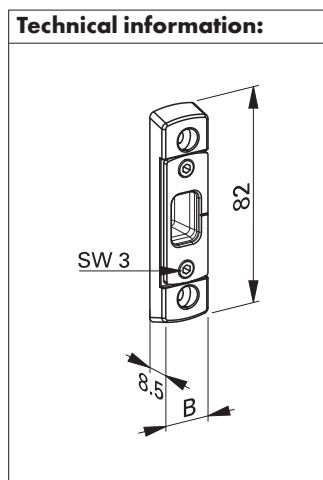


STRIKERS FOR MULTIPLE LOCKS

For milling in – 4 mm rebate space



For screwing on – 12 mm rebate space



with 2 or 4 pins (wooden doors)

Application: For rebated wooden doors
 Material: Die-cast zinc/steel
 Rebate space in mm: 4 or 12
 Hinge side: DIN R/DIN L, by turning striker
 Press-on pressure: By turning striker by 180° or via an eccentric 3 ± 1.5 mm

1 Pin striker with stepless adjustment for milling in for 4 mm rebate space

Suitable for cuff width in mm	Axis dimension in mm	B in mm	Surface	Art. No.	P. Qty.
16	9	18	Matt silver	0688 515 169	2

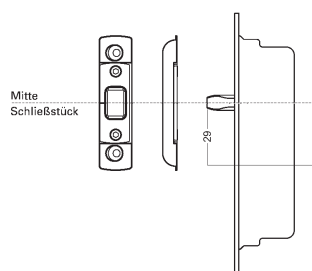
2 Pin striker for milling in for 4 mm rebate space

Suitable for cuff width in mm	Axis dimension in mm	B in mm	Surface	Art. No.	P. Qty.
20	10	20	Matt silver	0688 515 154	2

3 Pin striker and stepless adjustment for screwing on for 12 mm rebate space

Suitable for cuff width in mm	Axis dimension in mm	B in mm	Surface	Art. No.	P. Qty.
16	9	18	Matt silver	0688 515 369	2

Design information:



The angled screw connection of 20° increases the burglar resistance.

Additional articles:

- ! Multiple lock with 2 or 4 pins
- Center striker plate
- Milling gauge
- ? Hinges
- Protective fittings