

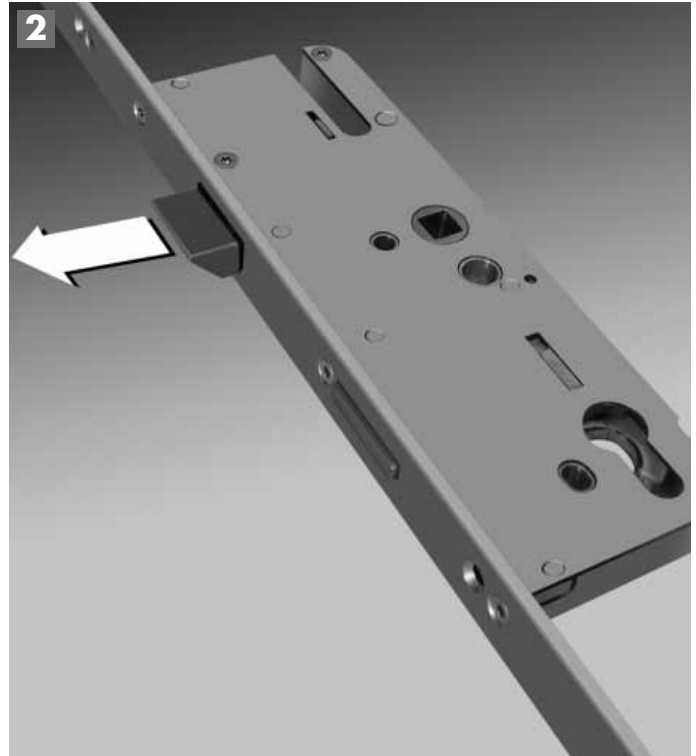
INSTRUCTIONS FOR KEEPER CONVERSION

Self-locking locks/
automatic locks

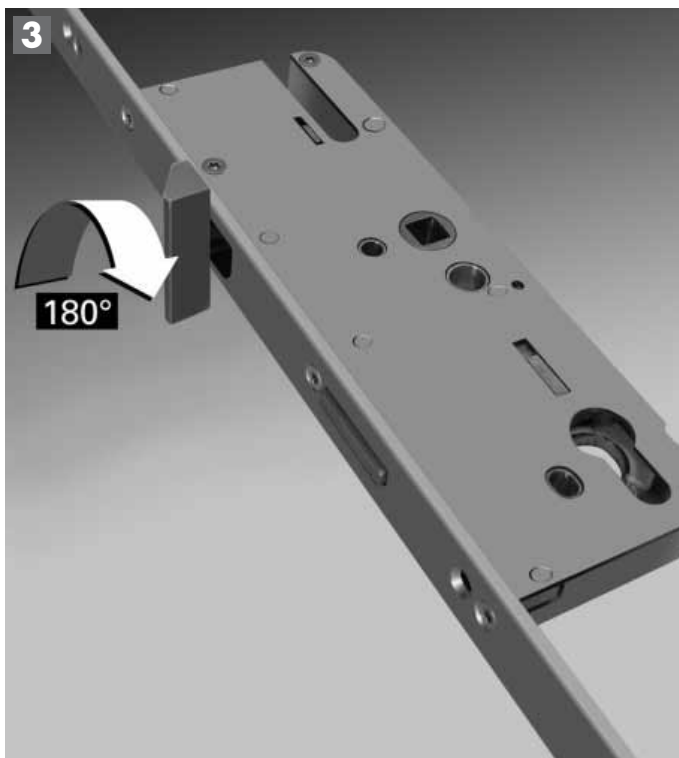
Technical information:



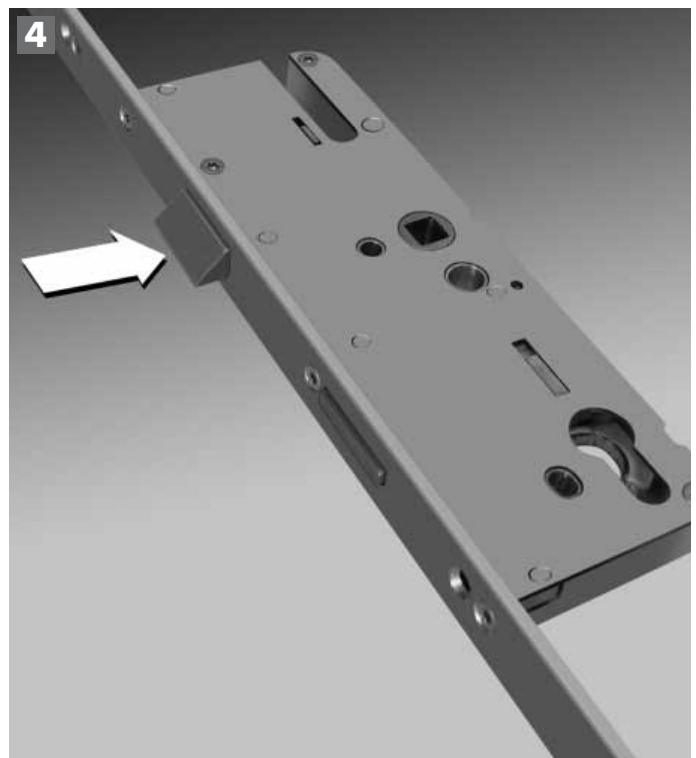
Move slider upward.



Keeper is released from the locking mechanism.



Turn keeper 180°.



Push keeper back again until it engages.