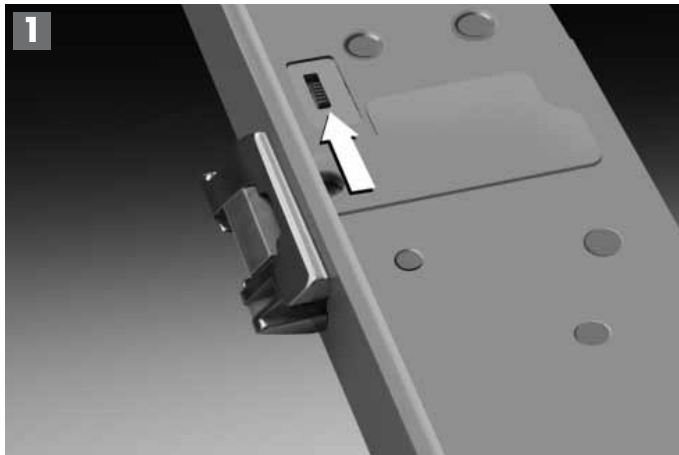


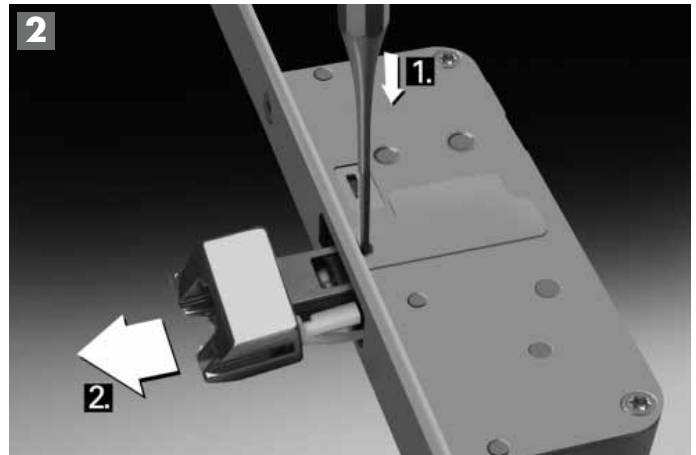
INSTRUCTIONS FOR AUTOMATIC KEEPER CONVERSION

Self-locking locks/
automatic locks

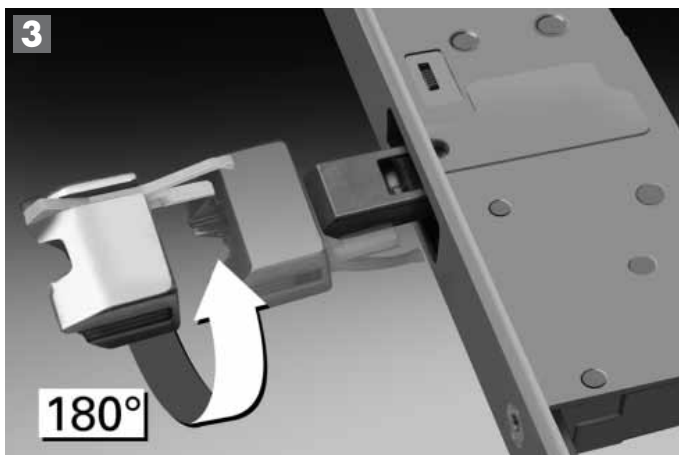
Technical information:



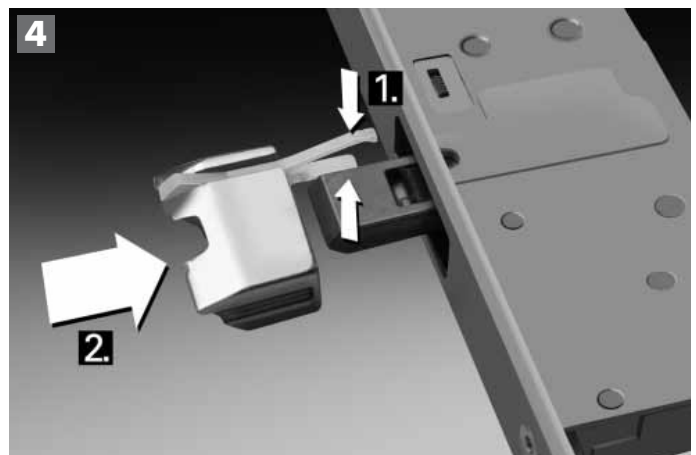
1
Move slider upward.



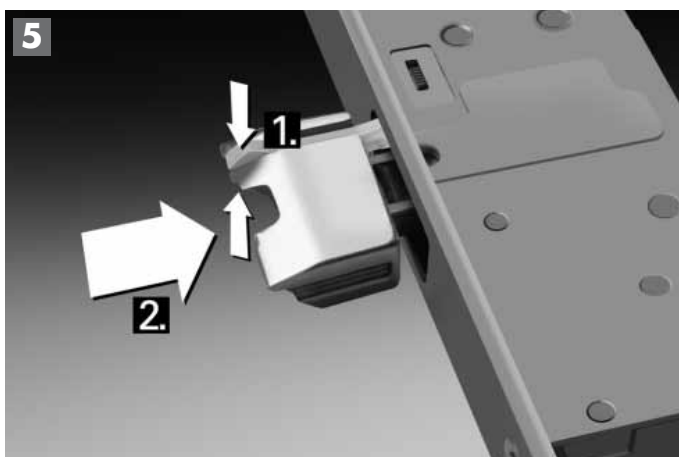
2
1. Push mounting tool in until it stops.
2. Pull out automatic keeper.



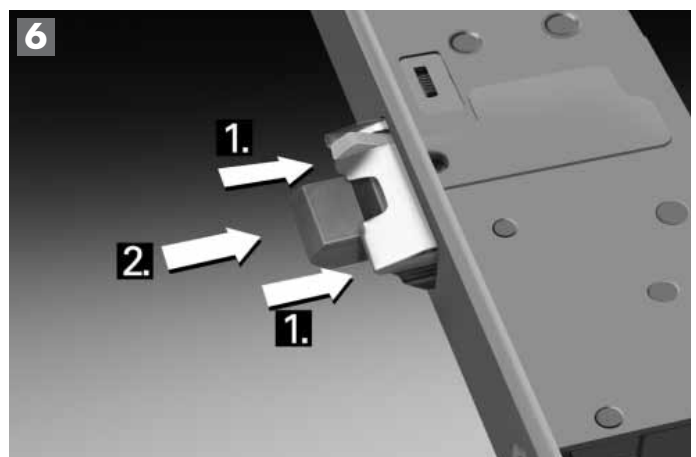
3
Turn automatic keeper 180°.



4
1. Guide spring element into face plate opening.
2. Slide automatic keeper over bolt.



5
1. Press and hold trigger mechanism.
2. Push automatic keeper in completely.



6
1. Push automatic keeper in completely.
2. Push bolt again.