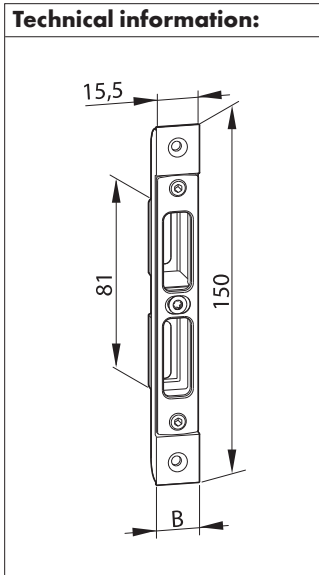


STRIKERS FOR MULTIPLE LOCKS

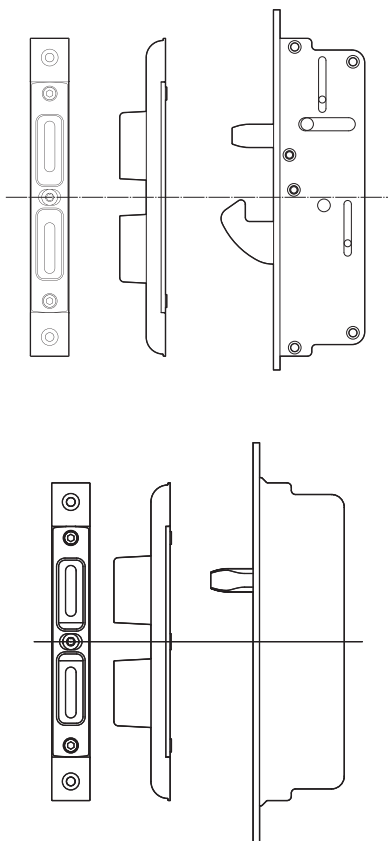
For milling in – 4 mm or
for screwing down – 12 mm rebate space



With two bolts/two power wedges or two/four pins
(wood doors)

Application: For rebated wood doors
Material: Die-cast zinc/steel
Rebate space in mm: 4 or 12 via plastic adapter parts
Stop direction: DIN R/DIN L, by turning the striker
Press-on pressure: Adjustable via 3 mm cam, ± 1.5 mm

Design information:



Combination striker for milling in – 4 mm or for screwing down – 12 mm rebate space

Suitable for face plate width in mm	Axial dimension in mm	B in mm	Surface	Art. No.	P. Qty.
16	9	18	Matt	0688 515 178	2
20	10	20	silver	0688 515 179	

Additional articles:

- ! Multiple lock with two pins/power wedges, two pins or four pins
- Central strike plate
- Milling template
- ? Hinges
- Protective fittings