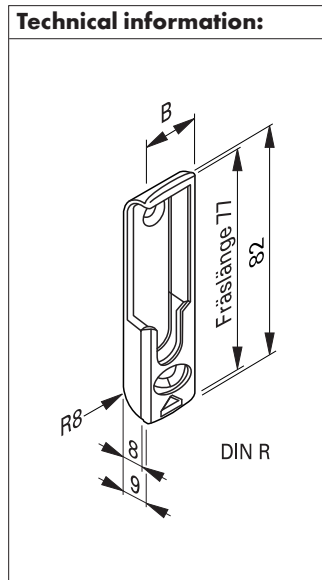


STRIKERS FOR MULTIPLE LOCKS

For milling in – 4 mm rebate space



Fig. DIN R



with 4 V-pins (wooden doors)

Application: For rebated wooden doors
 Material: die-cast zinc
 Rebate space in mm: 4 or 12
 Hinge side: DIN R or DIN L

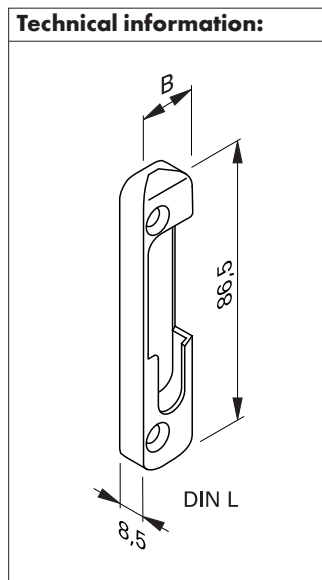
V-pin striker for milling in for 4 mm rebate space

Door attachment	Suitable for cuff width in mm	Axis dimension in mm	B in mm	Art. No. Matt silver	P. Qty.
DIN R	16	9	18	0688 515 165	4
DIN L				0688 515 166	
DIN R	20	10	20	0688 515 167	
DIN L				0688 515 168	

For screwing on – 12 mm rebate space

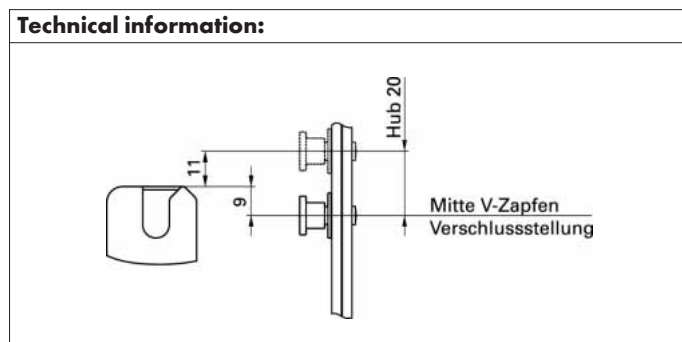


Fig. DIN R



V-pin striker for screwing on for 12 mm rebate space

Door attachment	Suitable for cuff width in mm	Axis dimension in mm	B in mm	Art. No. Matt silver	P. Qty.
DIN R	16	9	18	0688 515 365	4
DIN L				0688 515 366	
DIN R	20	10	20	0688 515 367	
DIN L				0688 515 368	



Additional articles:

- ! Multiple lock with 4 V-pins
- Center striker plate
- Milling gauge
- ? Hinges
- ? Protective fittings