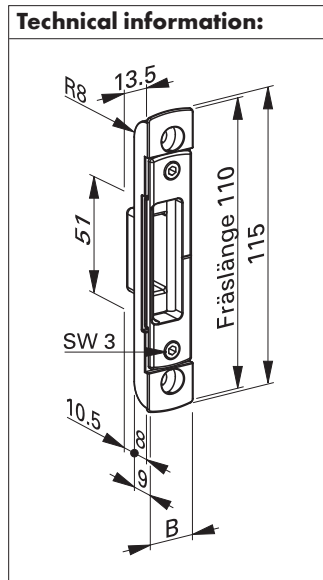


STRIKERS FOR MULTIPLE LOCKS

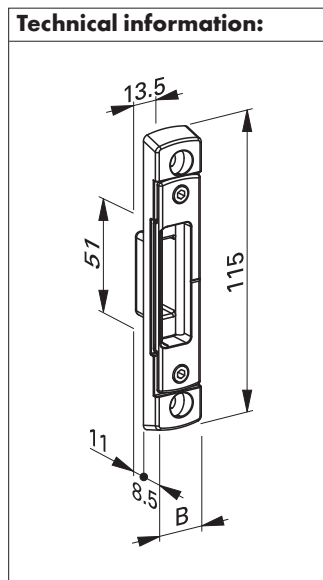
For milling in – 4 mm rebate space



With automatic keepers (wood doors)

Application: For rebated wood doors
 Material: Die-cast zinc/steel
 Rebate space in mm: 4 or 12
 Stop direction: DIN R/DIN L, by turning the striker
 Press-on pressure: Adjustable via 3 mm cam, ± 0.8 mm

For screwing down – 12 mm rebate space



Automatic keeper/bolt striker with continuous adjustment for milling in for 4 mm rebate space

Suitable for face plate width in mm	Axial dimension in mm	B in mm	Surface	Art. No.	P. Qty.
16	9	18	Matt	0688 515 175	2
20	10	20	silver	0688 515 177	

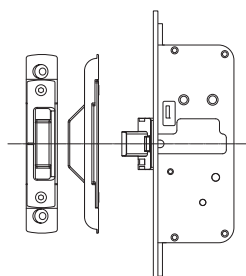
Automatic keeper/bolt striker with continuous adjustment for screwing down for 12 mm rebate space

Suitable for face plate width in mm	Axial dimension in mm	B in mm	Surface	Art. No.	P. Qty.
16	9	18	Matt	0688 515 375	2
20	10	20	silver	0688 515 377	

Design information:



The diagonal screwing at 20° increases burglary protection.



Additional articles:

- ! Multiple lock with automatic keeper
- Central strike plate
- Milling template
- ? Hinges
- Protective fittings