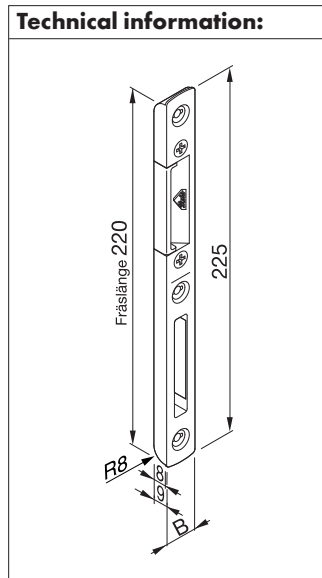


STRIKER PLATE FOR ALL MULTIPLE LOCKS

For milling in – 4 mm rebate space



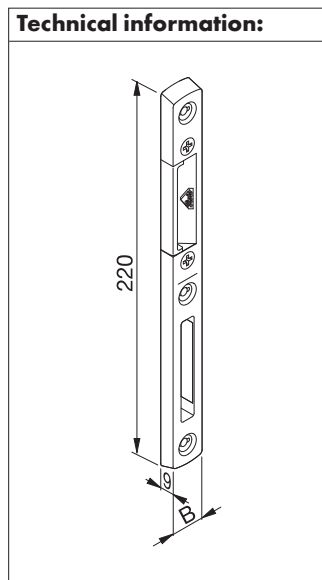
Fig. DIN R



For screwing on – 12 mm rebate space



Fig. DIN R



Design information:



The angled screw connection of 20° increases the burglar resistance.

Specified dimensions not binding. Subject to technical changes!

Wooden doors

Application: For rebated wooden doors
 Material: die-cast zinc
 Rebate space in mm: 4 or 12
 Hinge side: DIN R or DIN L
 Press-on pressure: Adjustable by moving the latch exchange piece

Center striker plate for milling in for 4 mm rebate space

Door attachment	Suitable for cuff width in mm	Axis dimension in mm	B in mm	Art. No. Matt silver	P. Qty.
DIN R	16	9	18	0688 515 571	1
DIN L				0688 515 572	
DIN R	20	10	20	0688 515 573	
DIN L				0688 515 574	

Center striker plate for screwing on for 12 mm rebate space

Door attachment	Suitable for cuff width in mm	Axis dimension in mm	B in mm	Art. No. Matt silver	P. Qty.
DIN R	16	9	18	0688 515 721	1
DIN L				0688 515 722	
DIN R	20	10	20	0688 515 723	
DIN L				0688 515 724	

Additional articles:

- ! Multiple lock Strikers
- Milling gauge
- ? Hinges
- Protective fittings