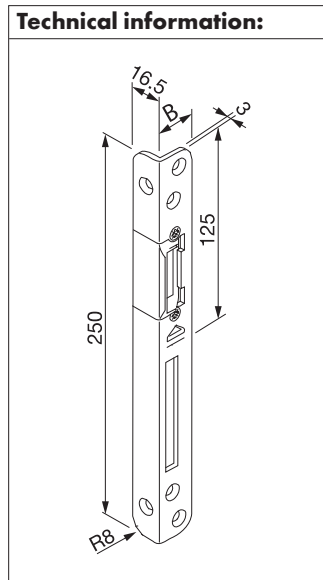


STRIKER PLATE FOR ALL MULTIPLE LOCKS

For milling in – 4 mm rebate space



Fig. DIN R



Wooden doors

Application: For rebated wooden doors
 Material: Steel
 Rebate space in mm: 4 or 12
 Hinge side: DIN R or DIN L
 Press-on pressure: Adjustable by moving the latch exchange piece

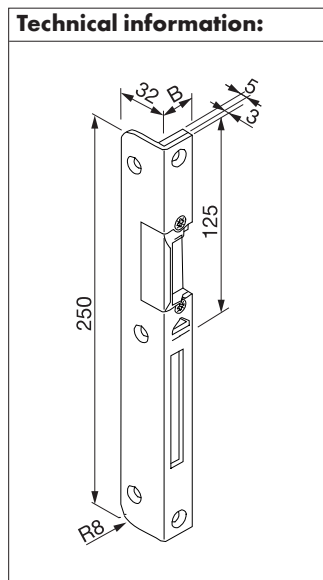
Center striker plate for milling in for 4 mm rebate space

Door attachment	Suitable for cuff width in mm	Axis dimension in mm	B in mm	Art. No. Matt silver	P. Qty.
DIN R	16/20	9/10	25	0688 515 575	1
DIN L				0688 515 576	

For screwing on – 12 mm rebate space



Fig. DIN R



Center striker plate for screwing on for 12 mm rebate space

Door attachment	Suitable for cuff width in mm	Axis dimension in mm	B in mm	Art. No. Matt silver	P. Qty.
DIN R	16	9	18	0688 515 665	1
DIN L				0688 515 666	
DIN R	20	10	20	0688 515 667	
DIN L				0688 515 668	

Additional articles:

- ! Multiple lock Strikers
- Milling gauge
- ? Hinges
- Protective fittings