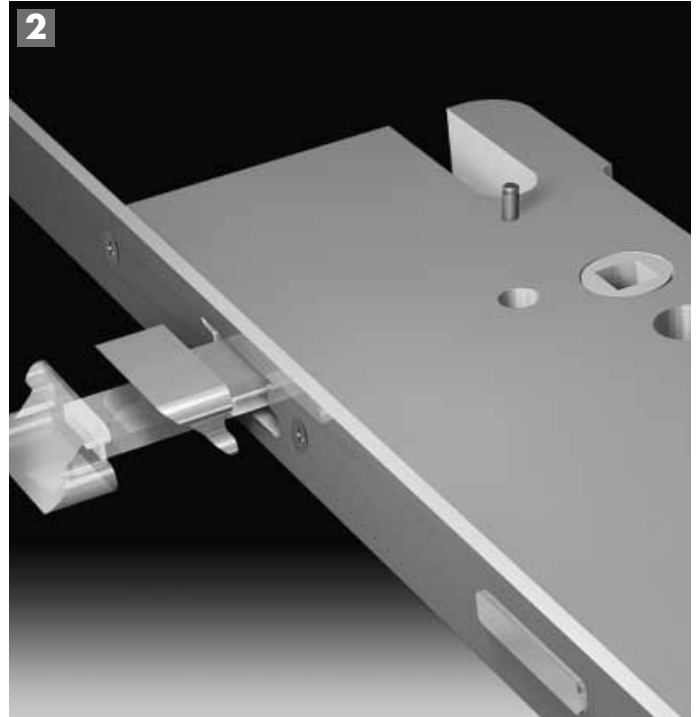


INSTRUCTIONS FOR KEEPER CONVERSION

Technical information:



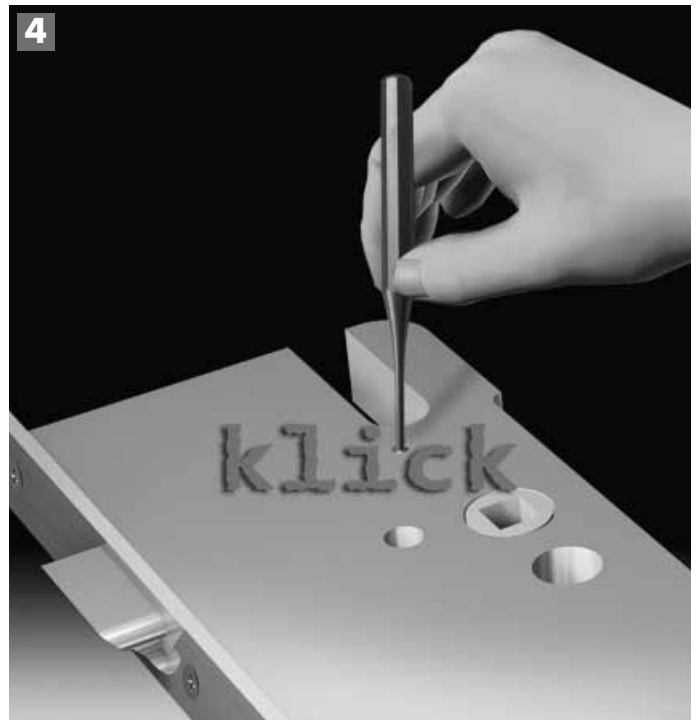
Push pin on back (lock case cover) of lock.



Pull pin out on the front side of the lock until it stops. Pull out keeper, turn it 180° and reinsert it.



Push pin back in.



Lock pin until an audible click is heard.