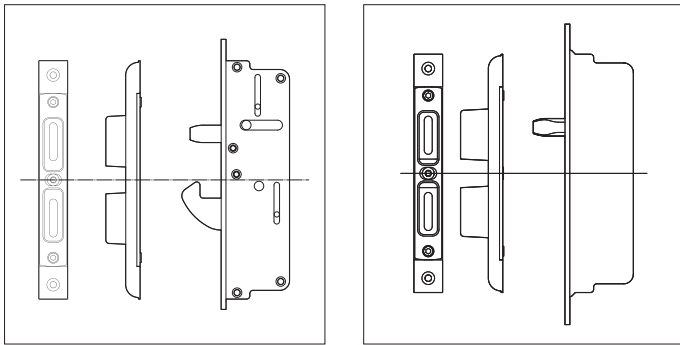


MULTIPLE LOCKS

A quality door is characterized by the fact that it still closes tightly and securely every time even after many years. High-performance fittings, a perfect fit, powerful, long-life locking and a strong gear unit that enables simple operation with little application of manual force are decisive factors for this.

The advantages are:



One striker for two locks

The combination striker can be used for pin/power wedge and pin locks. Low warehouse costs.



Electrical solutions

The "open sesame" for house doors.

It's already standard on most cars that the doors are opened with a radio remote control. This functions just as simply for the multiple locks. A motor opens all locking points after 2–3 seconds; closing is carried out automatically when the door is closed.



Two-leaf solutions



Latch lock

To prevent the lock latch from engaging in the striker plate when closing the door, a latch lock is clipped onto as standard with the multiple locks. This function is often used on doors which at times must be accessible from outside without a key (e.g. store entrance doors, apartment entrance doors and schools).