

# CATCH PLATE FOR MULTIPLE LOCKS

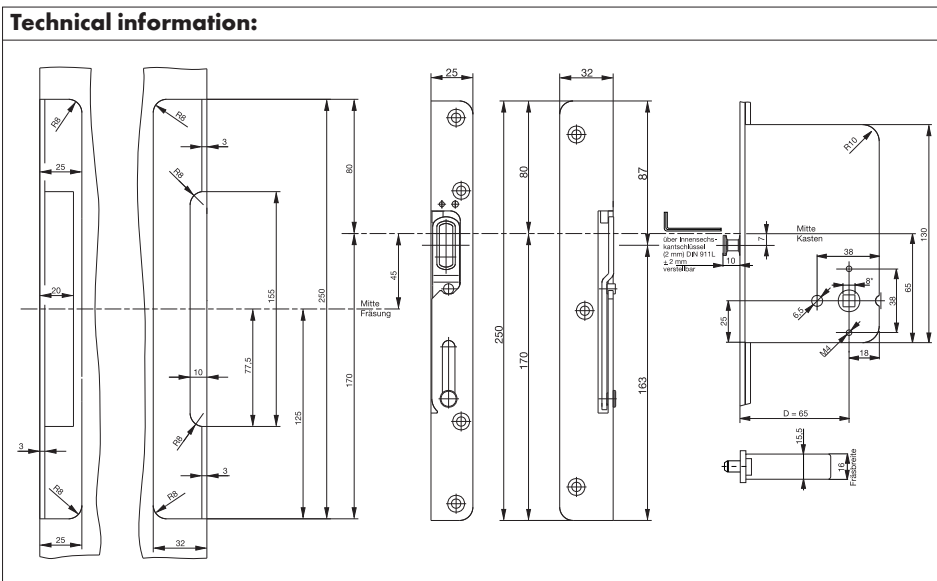
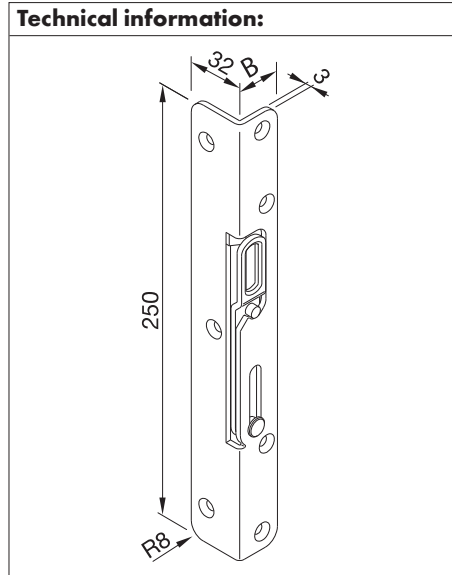
With two bolts and additional locking device (wood doors)

For milling in – 4 mm rebate space

Application: For rebated wood doors.  
 Material: Steel, stainless-steel stirrup  
 Rebate space in mm: 4  
 Stop direction: DIN R or DIN L



Fig. DIN R



Angled catch plate with stirrup for milling in for 4 mm rebate space						
Door stop	Suitable for face plate width in mm	Axial dimension in mm	B in mm	Surface	Art. No.	P. Qty.
DIN R	20	10	25	Matt silver	0688 515 430	1
DIN L					0688 515 431	

### Installation tip:

To compensate rebate space tolerances and to ensure proper functioning, the depth of the catch bolt on the multiple lock is adjustable with an Allen wrench (2 mm).

### Additional articles:

- ! Multiple lock with two bolts and additional locking device
- Strikers
- Central strike plate

- ? Hinges
- Protective fittings