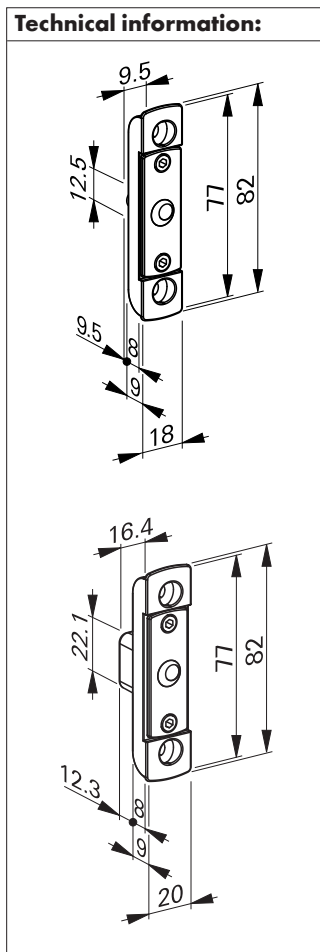


MAGNETIC STRIKERS FOR ENEO C/CC ELECTROMECHANICAL MULTIPLE LOCKS

With two bolts/two power wedges (wood doors)

For milling in – 4 mm rebate space



The magnetic striker is a controlling element for the Eneo C/CC electromechanical multiple lock. As soon as the door is closed, the motor receives a pulse and closes the lock.

| | |
|--------------------|--|
| Application | For rebated wood doors |
| Material | Die-cast zinc/magnet |
| Rebate space in mm | 4 |
| Stop direction | DIN R/DIN L, by turning the striker |
| Contact pressure | Lateral: By turning with a 3 mm cam from the front, ± 1.4 mm |
| Depth: | By turning with a 3 mm cam from the back, 0 - 4 mm |

Magnetic striker with pot for milling in for 4 mm rebate space

Design information:



The diagonal screwing at 20° increases burglary protection.

| Suitable for face plate width in mm | Axial dimension in mm | B in mm | Surface | Art. No. | P. Qty. |
|-------------------------------------|-----------------------|---------|-------------|---------------|---------|
| 16 | 9 | 18 | Matt silver | 0688 515 190* | 2 |
| 20 | 10 | 20 | | 0688 515 191* | |

*Delivery time approx. 12 working days

Additional articles:

- ! Eneo C/CC electromechanical multiple lock with two bolts/two power wedges
- Strikers
- Central strike plate
- Milling template
- ? Hinges
- Protective fittings