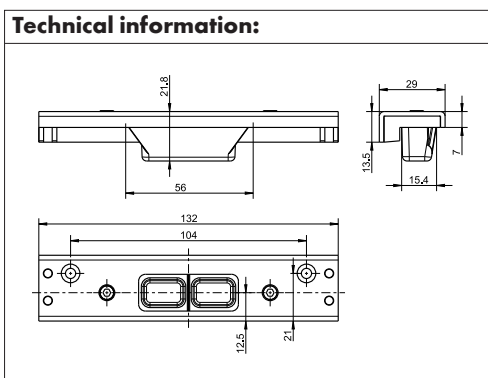
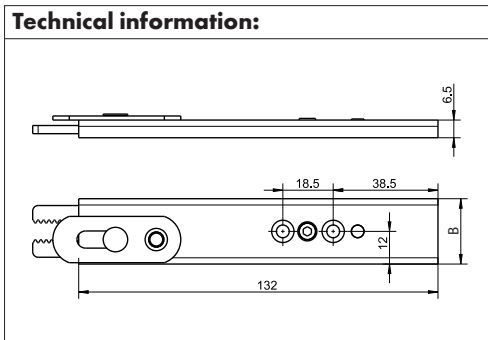


SECONDARY LEAF FITTING FOR MULTIPLE LOCKS

For milling in – 4 mm rebate space



with 2 pins/2 power wedges or 2 pins (2 leaf wooden doors)

- With the flush integrated hand lever, the leaf can be securely locked upward and downward.
- The hand lever is spring-loaded and is therefore very convenient to operate.

Application	For rebated wooden doors
Material	Steel, die-cast zinc
Rebate space in mm	4
Hinge side	DIN R or DIN L
Striker strip can be shortened at top by in mm	270
Press-on pressure	Adjustable by moving the latch exchange piece
Security/resistance class	Suitable for RC 2, system check required

Secondary leaf fitting for milling in for 4 mm rebate space

Door attachment	Suitable for cuff width in mm	Axis dimension in mm	B in mm	Art. No. Matt silver	P. Qty.
DIN R	16	9	24	0688 526 550*	1
DIN L				0688 526 551*	
DIN R	20	13	29	0688 526 570*	
DIN L				0688 526 571*	

Connection parts at top for milling in for 4 mm rebate space

Door attachment	Suitable for cuff width in mm	Axis dimension in mm	B in mm	Art. No. Matt silver	P. Qty.
DIN R	16	9	24	0688 526 553*	1
DIN L				0688 526 554*	
DIN R	20	13	29	0688 526 573*	
DIN L				0688 526 574*	

Striker at bottom for threshold

Suitable for cuff width in mm	Axis dimension in mm	B in mm	Surface	Art. No. Matt silver	P. Qty.
20	9	29	Matt silver	0688 515 187*	1
	13			0688 515 189*	

* Delivery time approx. 12 working days

The pin strikers can be used as a striker for the frame.

Additional articles:

- ! Multiple lock
- Pin striker
- Eifel TB threshold