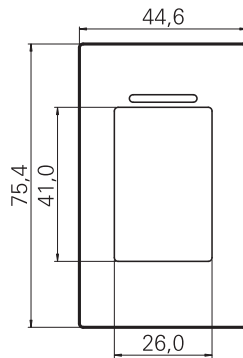


ACCESSORIES FOR ENEO C/CC ELECTROMECHANICAL MULTIPLE LOCKS



Technical information:



with 2 pins/2 power wedges (wooden doors)

Finger-scan unit

- The finger-scan unit is installed in the door leaf and is used for access control.
- Wiring diagram and installation instructions are available online via the WÜKO.

Art. No. 0688 528 700*

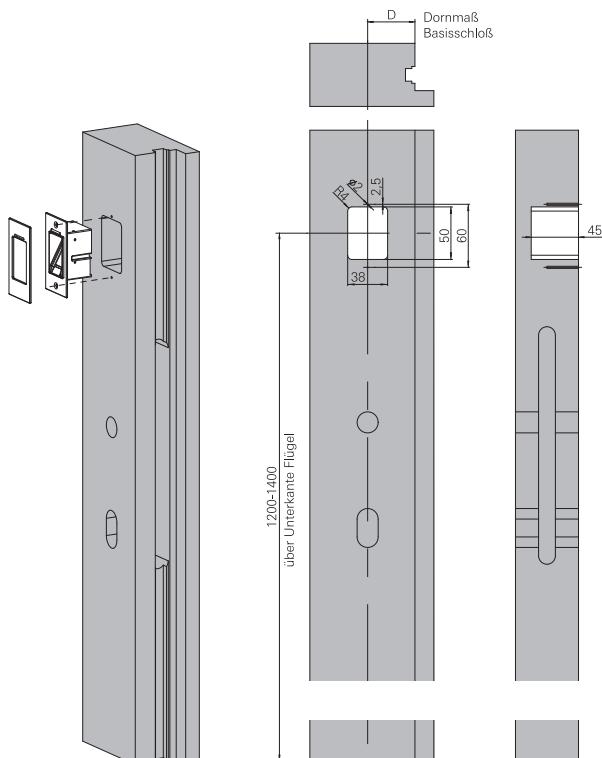
P. Qty. 1

* = Delivery time approx. 12 working days

Application	For Eneo C/CC electromechanical multiple locks
Dimensions	75 x 45 x 30 mm
Memory capacity	Up to 150 fingerprints
Fastening variants	Fastening with front screw connection Side fastening through the leaf Fastening by gluing on (fastening materials included)
Finger-scan sensor	Line sensor ATMEL Fingerchlip™ no latent finger >2 million uses
Operating voltage	8-24 V DC
Power consumption	Approx. 1 W
Relay data	24 V DC 500 mA (max.)
Temperature range	-20 °C to +85 °C
Moisture resistance	Up to 95 % relative humidity
Approval	IP 65 (outdoor use)

Technical information:

1. Fastening with front screw connection (leaf)



Note: When installing the cables, make sure that the black box is installed in a maintenance-friendly manner (e.g. in the vicinity of the milling of the drive unit).

Additional articles:

- Electromechanical multiple lock
- Eneo C/CC with 2 pins/2 power wedges