

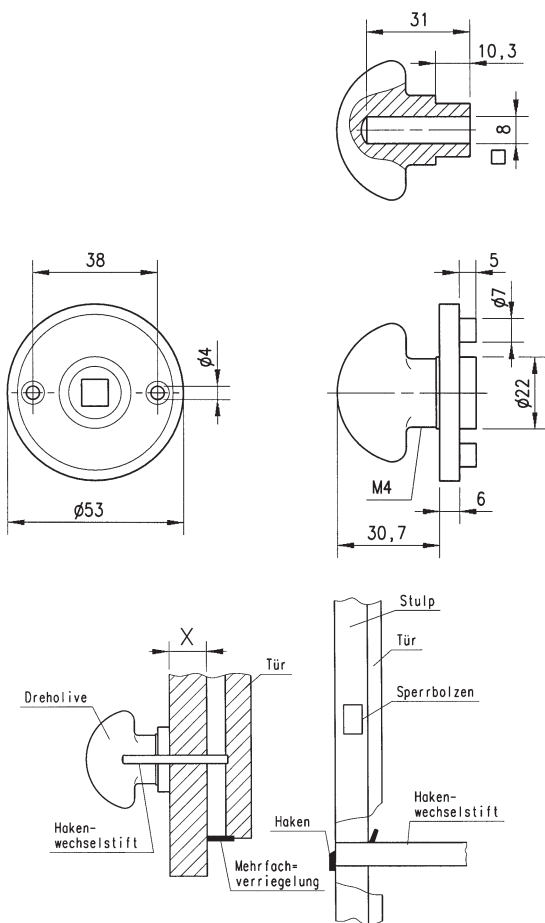
## TURN KNOB FOR MULTIPLE LOCKS



### With two bolts and additional locking device (locking bolt)

- Material: Die-cast zinc
- Color of the base rosette: White
- The turn knob is used to block and open the locking device on front doors from the inside.
- Since doors differ in thickness, hook change pins of different lengths are required. They must always be ordered separately.

#### Technical information:



#### Turn knob for stirrup with rounded rosette

| Surface            | Art. No.            | P. Qty. |
|--------------------|---------------------|---------|
| Matt nickel-plated | <b>0687 170 780</b> | 1       |

1 P. = 1 base rosette, 1 cover rosette, 1 bar knob, 2 mm Allen wrench, DIN 914 M4 grub screw, 4 x 30 mm chipboard screws included.

#### Hook Change Pin

| Pin length in mm | X dimension in mm | ■ in mm | Surface    | Art. No.            | P. Qty. |
|------------------|-------------------|---------|------------|---------------------|---------|
| 60               | 17 - 26           | 8       | Galvanized | <b>0688 196 260</b> | 1       |
| 70               | 27 - 36           |         |            | <b>0688 196 270</b> |         |
| 80               | 37 - 46           |         |            | <b>0688 196 280</b> |         |
| 90               | 47 - 56           |         |            | <b>0688 196 290</b> |         |

#### Additional articles:

- ! Multiple locks with two bolts and additional locking device
- ? Hinges
- ? Protective fittings