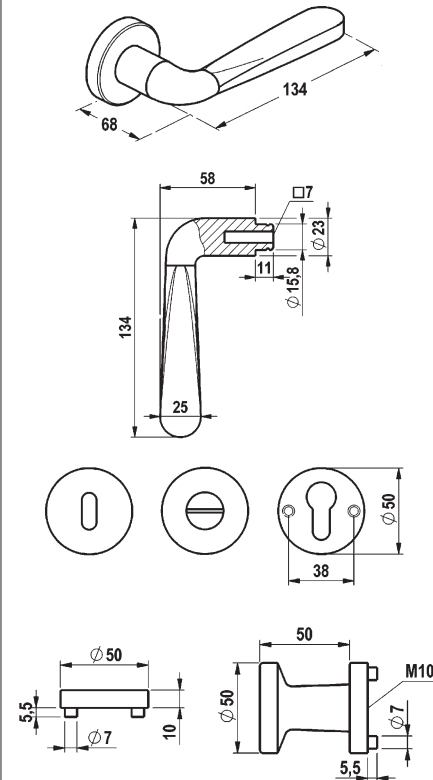


ZD 302 DOOR HANDLE

PVD-COATED
10 YEAR WARRANTY



Technical information:



The door handle sets include a loose square pin ■ 7/8 mm.



For private living area, e.g. room, WC/bath and apartment entrance doors

Material: die-cast zinc

Mounting: on both sides with spring bearing, basic rosette loose

Mounting materials: Straight through with special particle board screws

Tests: DIN EN 1906

Durability: Tested at 1,000,000 cycles

Classification key in accordance with DIN EN 1906: 2010-09

3	7	-	0	0	3	0	B
---	---	---	---	---	---	---	---

Object area			Suitable for door thicknesses from - to mm	■ in mm	Surface	Art. No.	P. Qty.
Designation							
KH set			38-42	7/8	Stainless steel appearance	0687 174 070	1
WC/bath set						0687 174 071	
PC set						0687 174 072	
Changing set for DIN R + DIN L doors						0687 174 073	

1 P. Qty. = 1 complete set
Installation instructions and assembly accessories included.

Additional articles:

- Basic Drilling Gauge Body, Art. No. 0688 191 300
- KH/PC Drilling Gauge Set, Art. No. 0688 191 311
- WC/Bath Drilling Gauge Set, Art. No. 0688 191 316
- Room door locks
- Door closers
- Room door hinges
- Door stoppers
- Ventilation grids