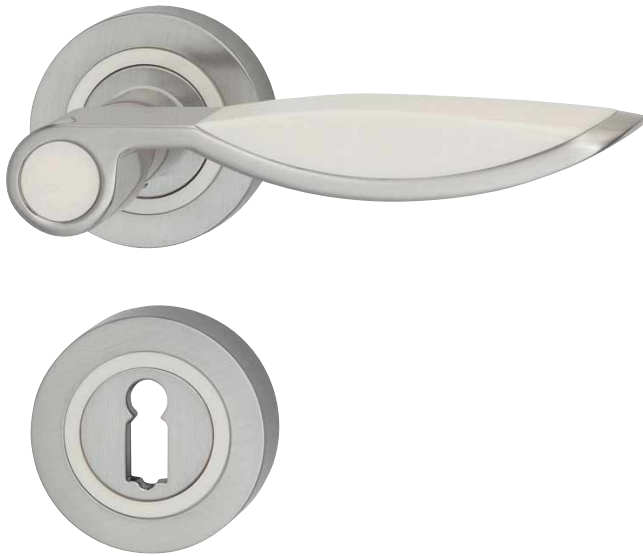


## ZD 46 DOOR HANDLE



- Application: for **private living area**, e.g. room, bath and apartment entrance door
- **Material: die-cast zinc**
- Bearings: on both sides with spring bearing, door handle premounted on rosette.
- Fastening: Continuous with metric screws

Door handle surface: stainless-steel appearance/ivory				
Designation	Suitable for door thicknesses from – to in mm	■ in mm	Art. No.	P. Qty.
Rosette set with KH perforation	38 - 42	8	<b>0687 171 580</b>	1
Rosette Set WC/Bathroom with locking olive			<b>0687 171 581</b>	
Rosette set with PC perforation			<b>0687 171 582</b>	
Rosette changing set for DIN L doors with PC perforation			<b>0687 171 583</b>	
Rosette changing set for DIN L doors with PC perforation			<b>0687 171 584</b>	

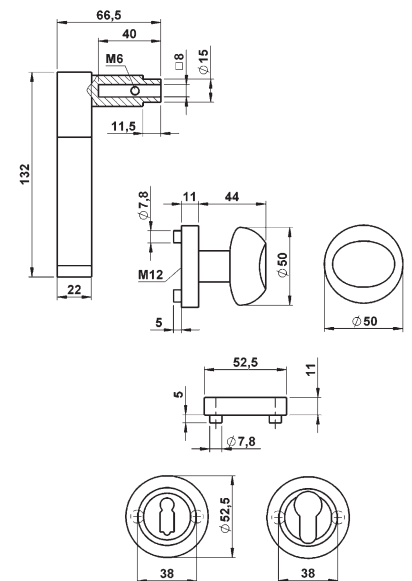
1 P. Qty. = 1 complete set

Assembly instructions and assembly accessories: (Square handle pin ■ 8 mm, 3 mm offset screwdriver, special screws with small head, M5 x 52 mm, galv., and grub screw, DIN 914, M6 x 6 mm, included.

### Installation tip:

Winding a soft adhesive tape around the screwdriver enables damage to the surface of the handle to be prevented during assembly.

### Technical information:



The door handle sets include a loose square pin ■ 8 mm.

### Additional articles:

- ? Basic Drilling Gauge Body, Art. No. 0688 191 300
- KH/PC Drilling Gauge Set, Art. No. 0688 191 313
- WC/Bath Drilling Gauge Set, Art. No. 0688 191 318
- Room door locks
- Door closers
- Room door hinges
- Ventilation grids
- Door stoppers