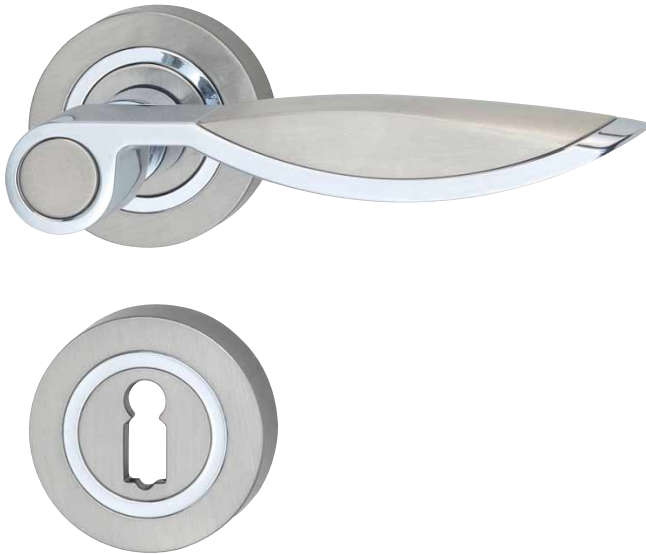


## ZD 46 DOOR HANDLE



- Application: for **private living area**, e.g. room, bath and apartment entrance door
- **Material: die-cast zinc**
- Bearings: on both sides with spring bearing, door handle premounted on rosette.
- Fastening: Continuous with metric screws

Door handle surface: Stainless steel appearance/polished chrome-plated					
Designation		Suitable for door thicknesses from – to in mm	■ in mm	Art. No.	P. Qty.
Rosette set with KH perforation	ⓘ	38 - 42	8	<b>0687 171 590</b>	1
Rosette set WC/Bathroom with locking olive	⊖			<b>0687 171 591</b>	
Rosette set with PC perforation	ⓘ			<b>0687 171 592</b>	
Rosette changing set for DIN L doors with PC perforation	ⓘ			<b>0687 171 593</b>	
Rosette changing set for DIN L doors with PC perforation	ⓘ			<b>0687 171 594</b>	

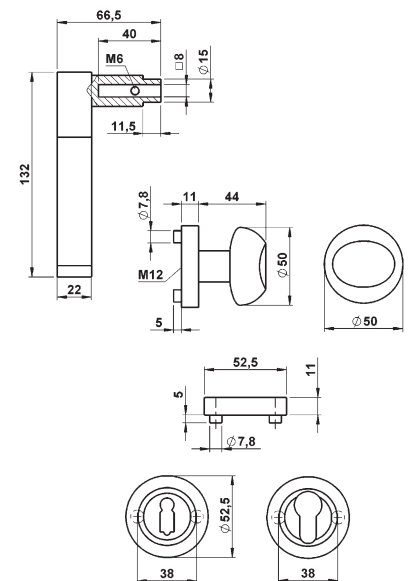
1 P. Qty. = 1 complete set

Assembly instructions and assembly accessories: (Square handle pin ■ 8 mm, 3 mm offset screwdriver, special screws with small head, M5 x 52 mm, galv., and grub screw, DIN 914, M6 x 6 mm, included.

### Installation tip:

Winding a soft adhesive tape around the screwdriver enables damage to the surface of the handle to be prevented during assembly.

### Technical information:



The door handle sets include a loose square pin ■ 8 mm.

### Additional articles:

- ? Basic Drilling Gauge Body, Art. No. 0688 191 300
- KH/PC Drilling Gauge Set, Art. No. 0688 191 313
- WC/Bath Drilling Gauge Set, Art. No. 0688 191 318
- Room door locks
- Door closers
- Room door hinges
- Ventilation grids
- Door stoppers