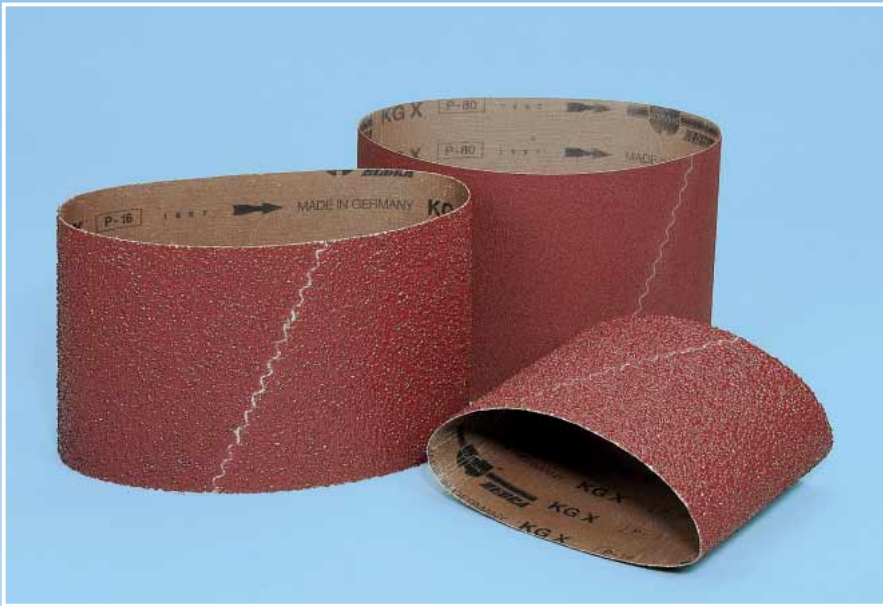


KGX Fabric Sanding Sleeves and Cloth Sanding Belts



Carrier material:
heavy X-cloth.
Binding:
synthetic resin bond.
Grains:
special corundum, highly effective chipping.
Closure:
WWV Würth wave closure.

Sanding sleeves = 200 x 551 mm
Sanding belts = 200 x 750 mm

Attention!

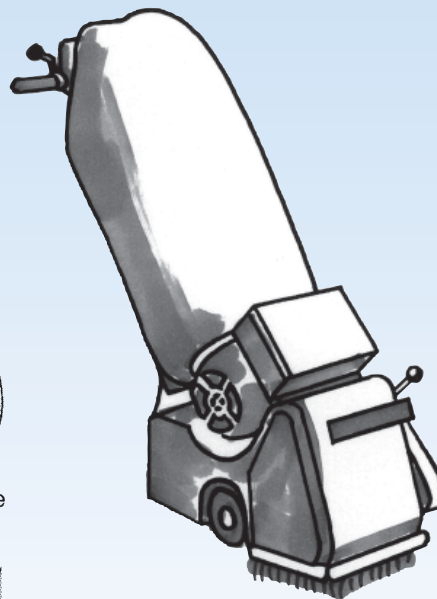
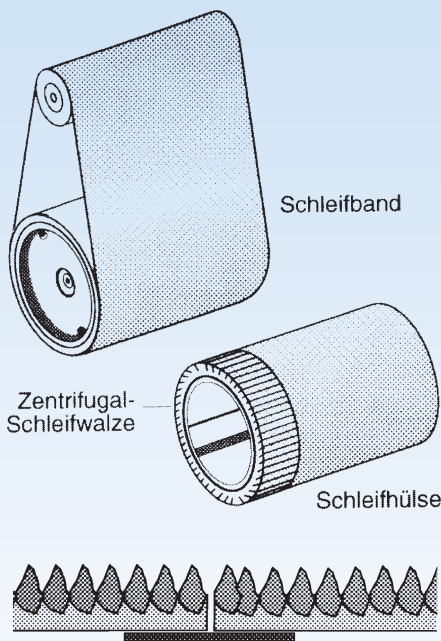
With this closure system, the belt can also be tensioned against the running direction. If the belt becomes clogged in one running direction, it is possible to turn it around.

Application:

- Levelling of old, warped floorboards and newly laid floors.
- Sanding of old parquet floors.
- Sanding and finish-sanding of newly laid parquet floors.
- Sanding of cork floors.



Clamping the sanding material



Dim. in mm	Grains	Art. No.	P. Qty.
200 x 551	16	0675 551 16	20
	24	0675 551 24	
	36	0675 551 36	
	40	0675 551 40	
	60	0675 551 60	
	80	0675 551 80	
	100	0675 551 100	
120	0675 551 120		
200 x 750	16	0675 750 16	
	24	0675 750 24	
	30	0675 750 30	
	36	0675 750 36	
	40	0675 750 40	
	50	0675 750 50	
	60	0675 750 60	
	80	0675 750 80	
	100	0675 750 100	
	120	0675 750 120	

Würth wave closure jointed with film.

Industries 309, 318