

DIAMOND TILE CUTTING MACHINE



Professional, low-noise, stainless-steel diamond tile cutting machines with integrated water cooling system. For fast, clean cutting of tiles, marble, ceramic, granite, sandstone, brick and other light building materials. Depending on the model, the tile cutting machines enable cutting lengths up to 70, 90 or 120 cm.

WAC 70
Art. No. 0701 407 2

WAC 90
Art. No. 0701 409 2

WAC 120
Art. No. 0701 401 2

High-quality materials and rugged design.

Long product service life and easy maintenance.

Flexible adjustment options for cutting height and cutting angle.

Individual adaptation to the respective material thickness and the cutting of miters.

Sturdy front and back carry handles. Large wheels on the rear feet.

Machine is easy to transport.

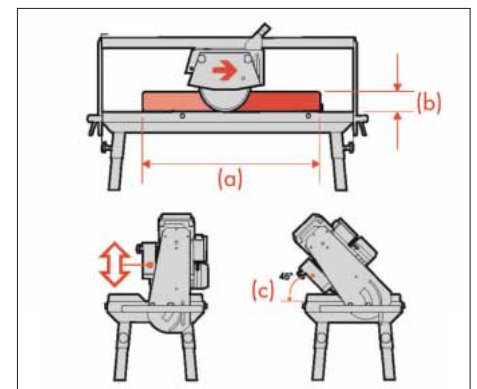
3-year warranty.

During this period, any manufacturing or material defects will be repaired free of charge.

Delivery scope					
Fig.	Designation	Art. No.	Art. No.	Art. No.	P.Qty.
1	WAC 70* Diamond Tile Cutting Machine	0701 407 2	-	-	1
-	WAC 90* Diamond Tile Cutting Machine	-	0701 409 2	-	1
-	WAC 120* Diamond Tile Cutting Machine	-	-	0701 401 2	1
2	Diamond Wet-Cutting Disk, 200 mm dia.	0668 260 201	-	-	1
3	Diamond Wet-Cutting Disk, 250 mm dia.	-	0668 260 251	0668 260 251	1

*Scope of delivery as shown in Fig.1.

Technical data				
Model/Version		WAC 70	WAC 90	WAC 120
Voltage	in V/Hz	230 / 50	230 / 50	230/50
Protection class		⊕/I	⊕/I	⊕/I
Power consumption	in W	1,000	1,500	1,500
Idling speed	in rpm	2,800	2,800	2,800
Cutting disk diameter	in mm	200	250	250
Hole (dia.)	in mm	25.4	25.4	25.4
Max. Straight cutting length (a) in mm		700	900	1,200
Max. Cutting height (b) in mm		35	50	50
Continuous cutting angle up to (c) in degrees		45	45	45
Table dimensions (L x W)	in mm	575 x 360	890 x 435	1,200 x 435
Dimensions (L x W x H)	in mm	1,050 x 400 x 400	1,230 x 450 x 650	1,540 x 450 x 600
Sound pressure level	in dB (A)	80	80	80
Weight	in kg	41	52	62



Available in the fleet management system ORSY®fleet.