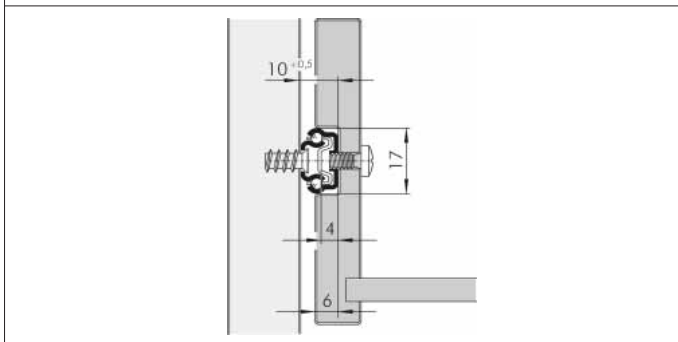


BALL PARTIAL PULL-OUT



Technical information:



Groove mounting

- **Load-bearing force up to 10 kg**
- Outstanding, laterally stable running
- Material: Hot-galvanized steel
- Operating temperature -20°C to $+50^{\circ}\text{C}$

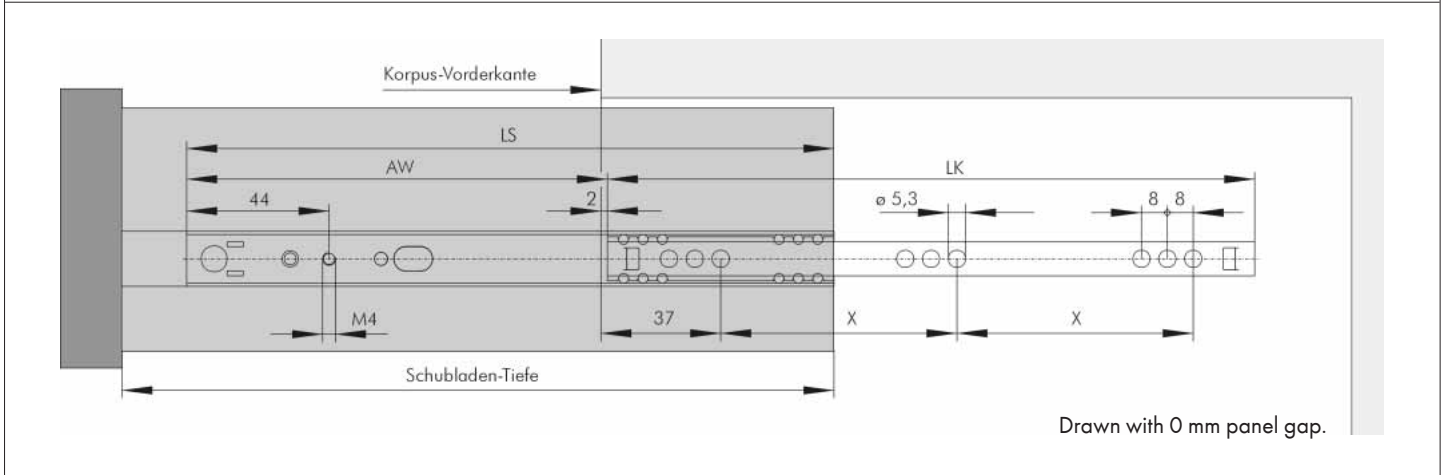
Advertising text:

Würth ball guide, partial pull-out, load-bearing capacity up to 10 kg, nominal length ... mm.

Installation tip:

- Fastening of body runner ASSY® 3.5 mm dia. or Euro screw Art. No. 0276 163 ...
- Drawer installation with M4 screw, Art. No. 0281 4..

Design information:



Nominal length in mm	Drawer depth from - to in mm	AW in mm	LS/LK in mm	X in mm	Load-bearing capacity with 60,000 cycles in kg	Art. No.	P. Qty. Pair
182	184-286	133	182	64	10	0684 502 200	1/100
246	248-396	174	246	96	10	0684 502 201	1/100
310	312-506	216	310	128	10	0684 502 202	1/100
374	376-615	280	374	160	10	0684 502 203	1/100

Additional articles:

! Furniture Handles

? Front Skirt Adjuster