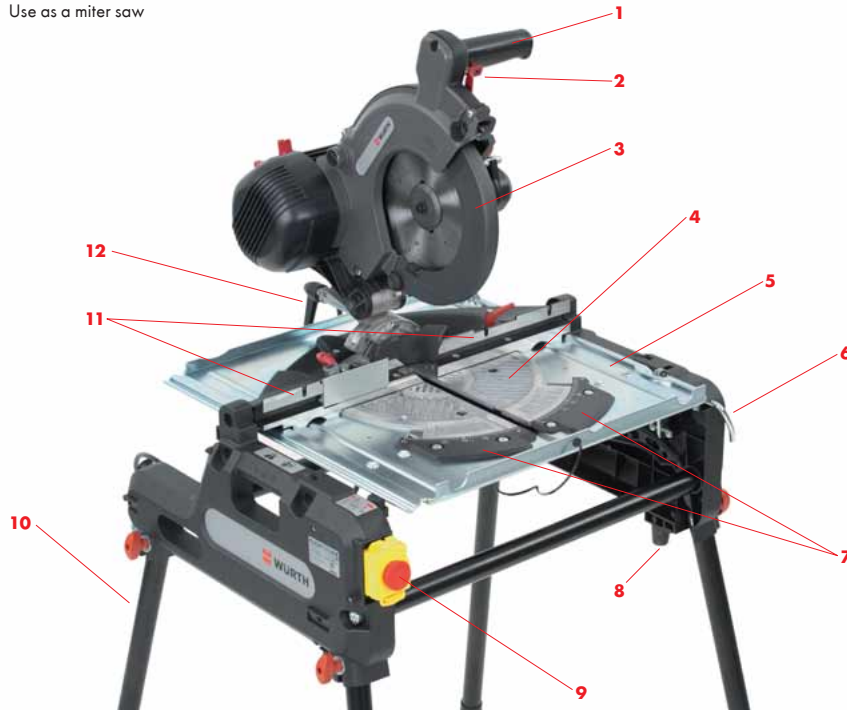


MITER AND TABLE CIRCULAR SAW

Technical Information for KTS 140 Combi

Use as a miter saw



Unit elements

- 1 Operating handle
- 2 On-Off Switch and release lever (miter saw operation)
- 3 Saw blade guard
- 4 Rotary table
- 5 Saw table (rotatable)
- 6 Saw table lock
- 7 Beveling scale/table insert
- 8 Foot
- 9 On-Off switch (table saw operation)
- 10 Leg (removable)
- 11 Left and right stops
- 12 Incline locking lever

Matching saw blades

Dimensions in mm	Application	No. of teeth	Tooth shape	Rake angle	Art. No.	P. Qty.
250 x 3.2/2.2 x 30	Universal saw blade for rough cuts in soft and hard natural woods, plywood, wood-core plywood, MDF and particle board	24	AT	+10°	0611 025 241	1
250 x 3.0/2.0 x 30	Hard and soft woods, particle boards (raw, coated, veneered), cover boards, plastics, composites and non-ferrous metals (aluminum, copper and brass)	42	TR/FT	+5°	0611 625 042	1
250 x 3.2/2.6 x 30	Profile and solid materials made of aluminum and other non-ferrous alloys, acrylic resin and Pertinax	60	TR/FT pos.	-5°	0611 025 602	1
250 x 3.2/2.6 x 30	Profile and solid materials made of aluminum and other non-ferrous alloys, acrylic resin and Pertinax	80	TR/FT pos.	-5°	0611 025 802	1

AT = alternating tooth TT/FT = trapezoidal/flat tooth

Accessories

Fig.	Designation	Art. No.	P. Qty.
1	Universal Connection for vacuum cleaners	0702 400 247	1

Fig. 1

