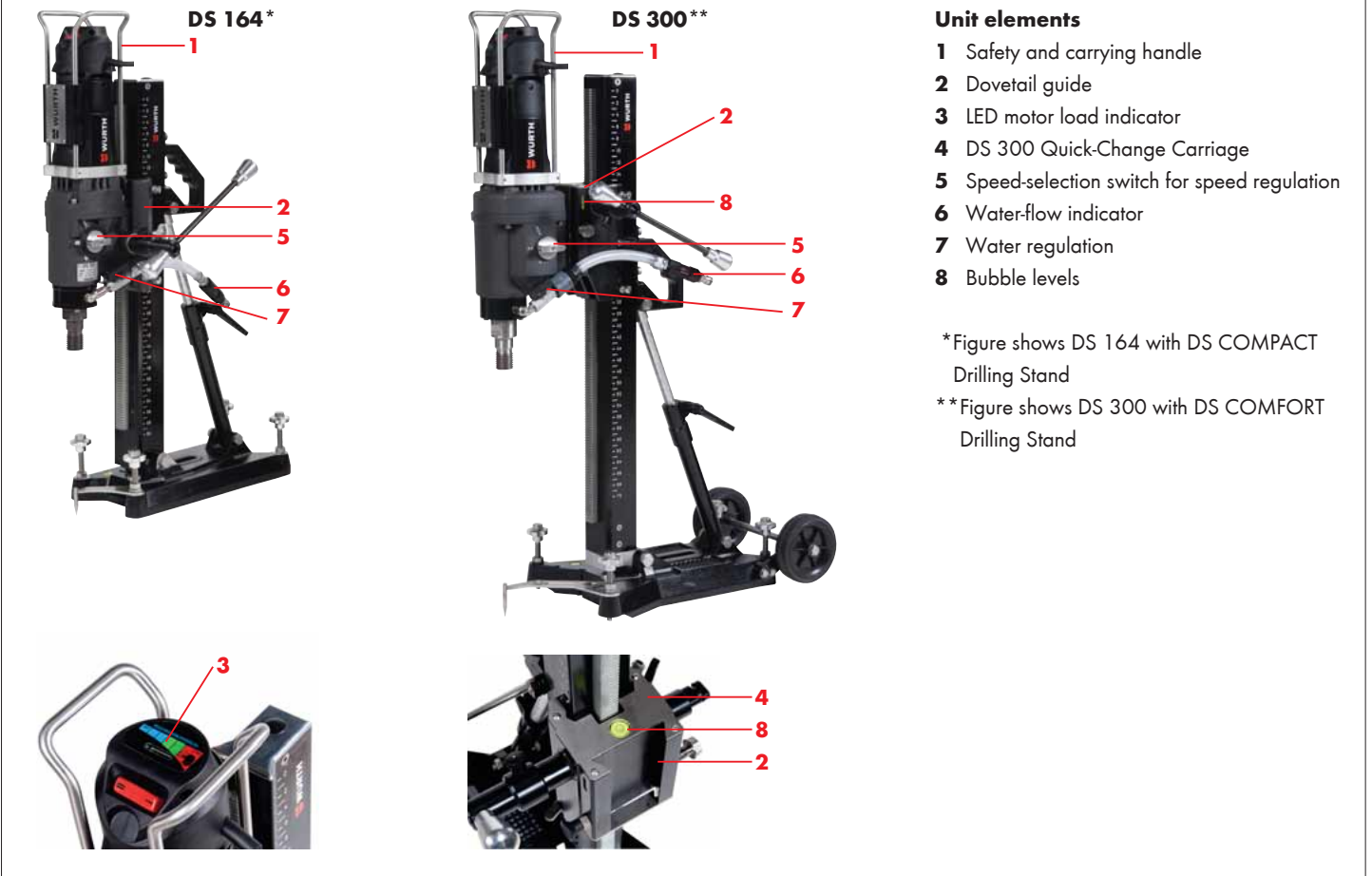


CORE DRILL

Technical information for DS 164 and DS 300



Unit elements

- 1 Safety and carrying handle
- 2 Dovetail guide
- 3 LED motor load indicator
- 4 DS 300 Quick-Change Carriage
- 5 Speed-selection switch for speed regulation
- 6 Water-flow indicator
- 7 Water regulation
- 8 Bubble levels

*Figure shows DS 164 with DS COMPACT Drilling Stand

** Figure shows DS 300 with DS COMFORT Drilling Stand

Accessories

Image	Designation	Art. No.	P. Qty.
6	Industrial Wet and Dry Vacuum ISS 55-S Automatic	0701 156 0	1
7	DS COMPACT and DS COMFORT Drilling Stands for DS 164/DS 300	5709 14. 0	1
8	Diamond Wet Drilling Bits for DS core drills	545.	1
9	Water pressure tank for drilling work without a water connection at the construction site. Pressure gauge for tank pressure (max. 6 bar). Fill volume: 10 L, hose length: 2.5 m. Safety valve against overpressure and for relieving residual pressure. Large filling funnel	0651 150 205	1



Fig. 3



Fig. 4



Fig. 5



Fig. 7



Fig. 8



Fig. 9



Fig. 6