

DRY CONSTRUCTION SCREWDRIVER



Extremely light and handy dry construction screwdriver. Supplied in a box with 4 quick-change cable and bit holder.

S 50 TB
Art. No. 0702 050 0

Designed for high-speed construction screws up to 5 mm dia.
Saves time, as the screw-in speed is optimized for high-speed construction screws.

Quick-change cable.
A longer cable can be mounted in just seconds if necessary.

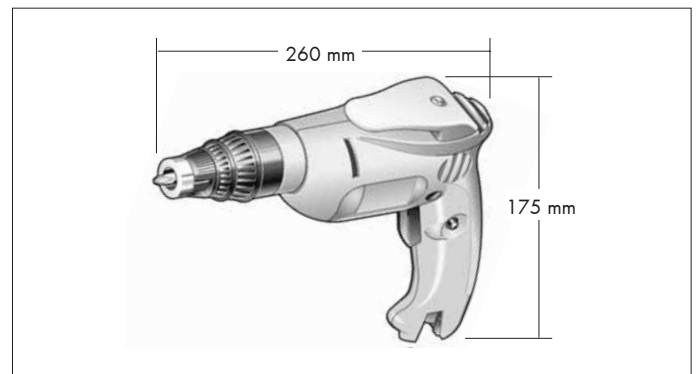
Light and handy.
Low fatigue even when working for longer periods.

Adjustable depth stop.
Easy-to-adjust screw-in depth.

3-year warranty.
During this period all manufacturing or material defects will be repaired free of charge.

Delivery scope		
Designation	Art. No.	P. Qty.
S 50 TB High-Speed Construction Screwdriver	0702 050 X	1
Belt Clip	0708 050 035	1
Depth Stop	0708 050 002	1
Bit Holder, length 50 mm, 9.5 mm dia.	0614 176 754	1
Quick-Change Cable	0708 315 032	1

Technical data		
Voltage	Volt	230
Weight	in kg	1.12
Power consumption	in W	500
Output	in W	255
Idling speed	rpm	0 - 4,650
Tool mount		1/4" E 6.3
Cable length	in m	4



Accessories	
Designation	Art. No.
Quick-Change Cable, 6 m	0708 315 039

Matching Bit Holder



Art. No. 0614 176 754
magnetic, with snap ring