

## BIT BOX



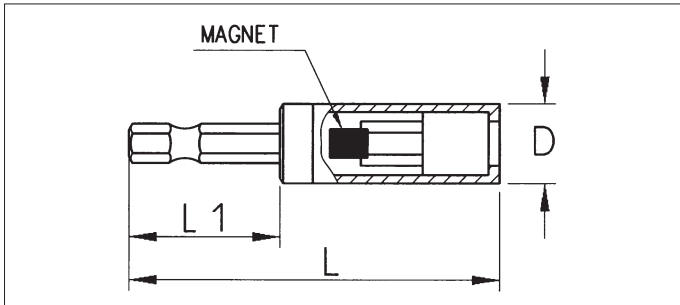
Can also be used as a hand-held screwdriver

Contents: 11-pc. set		
Contents	Art. No.	P. Qty.
1x PH2, 1x PH3, 2x PZ2, 1x PZ3, 1x SZ 0.8 x 5.5, 1x TX20, 1x TX25, 1x TX30, 1x TX40, 1x 1/4" magnetic holder	<b>0614 250 40</b>	1
4x AW20, 1x AW25, 3x AW30, 2x AW40, 1x 1/4" magnetic holder	<b>0614 250 41</b>	1

### Assortment in a practical, sturdy plastic box with all common bits

- 10 bits: Length 25 mm, 1/4" Holder
- Secure holding of the bits in the bit box and simple removal and resetting of the bits
- 1 self-adjustable magnetic bit holder for fast, secure working conditions
- Dimensions of bit box (L x W x H): 132 x 69 x 18 mm
- Bit box with magnetic holder as can be used as a hand-held screwdriver

## MAGNETIC BIT HOLDER



Mount	D in mm	L in mm	L1 in mm	Art. No.	P. Qty.
1/4"	14	67	27	<b>0614 811 320</b>	1

### Self-adjustable automatic 1/4" holder for secure, efficient working conditions

- The high-quality ring magnet automatically adjusts to the depth of a screw head, ensuring the reliable holding of bits and an optimal holding of the screws (e.g. during machine screwing operations)
- Simple, fast changing of 1/4" standard bits
- No slip rings with flush setting of screws
- Countersinking of screws is enabled by sleeve gliding back

## BIT SET



Contents: 17-pc. set		
Contents	Art. No.	P. Qty.
1x each PH1, PH2, PZ1, PZ2, SZ 0.8 x 5.5, 4 mm Allen head, 5 mm Allen head, TX15, TX20, TX25, TX30, AW10, AW20, AW25, AW30 and universal holder	<b>0614 203</b>	1

### Handy bit set with all common bits and practical metal belt clip

- Fast access to bits
- 16 bits: Length 25 mm, 1/4" Holder
- 1 universal bit holder