



Combination Spanners

Design: Inch sizes, short form.

Drive: ring end POWERDRIV® double-hex.

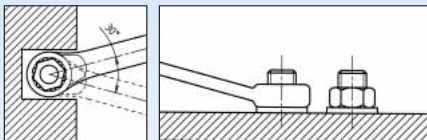
Standard: DIN 31 13A/
ISO 3318/7738.

Material: chrome vanadium steel.

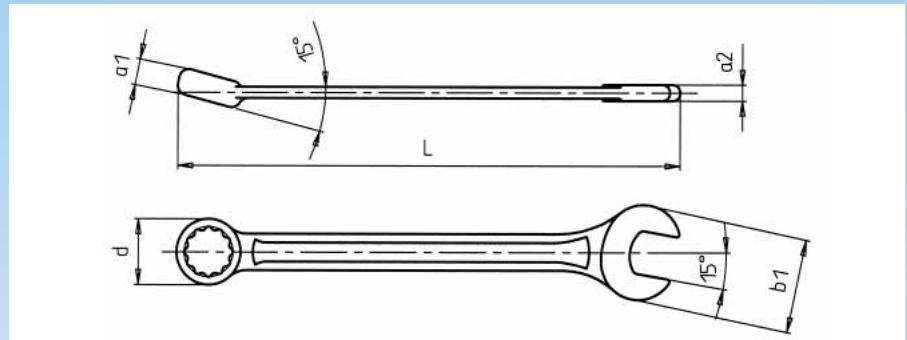
Surface finish: chrome-plated,
heads and ring polished.

Geometry: ring end angled by 15°,
jaw position 15°.

Double-hex ring and jaw position of
15° for an optimal grip ratio, result-
ing in minimal rotating angle.



The 15° angle of the ring wrench
provides more free space for
the fingers or to work around obsta-
cles.



inch	L mm	b ₁ mm	Ø d mm	a ₁ mm	a ₂ mm	Art. No.	
1/4	100	14	10.5	5.5	3.7	0713 303 01	1/10
5/16	120	18	13.2	6	4	0713 303 02	
3/8	140	22.5	16.1	7.5	4.5	0713 303 03	
7/16	150	25	17.4	8	5	0713 303 04	
1/2	170	29	20.4	9	5.5	0713 303 05	
9/16	180	31	21.6	9.5	6	0713 303 06	
5/8	200	36	24.6	10	6	0713 303 07	
11/16	205	38	26.1	10.5	6.5	0713 303 08	
3/4	230	42	29.9	11.5	7.5	0713 303 09	
13/16	250	47	32.2	12.5	8	0713 303 10	
7/8	260	49	33.7	13.5	8	0713 303 11	
15/16	280	53	36.9	14.5	9	0713 303 12	1/5
1	290	55	38.5	15	9	0713 303 13	
1 1/16	310	59	40.8	15.5	9	0713 303 14	
1 1/8	330	63.5	43.8	16.5	10	0713 303 15	
1 1/4	350	69	47.8	17.5	11	0713 303 16	
1 5/16	360	73	50.8	18	12	0713 303 17	

Set of Combination Spanners

Set	inch	Art. No.	
8	3/8, 7/16, 1/2, 9/16, 5/8, 11/16, 3/4, 7/8	0713 303 40	1
12	3/8, 7/16, 1/2, 9/16, 5/8, 11/16, 3/4, 7/8, 1, 1 1/16, 1 1/8, 1 1/4	0713 303 41	

