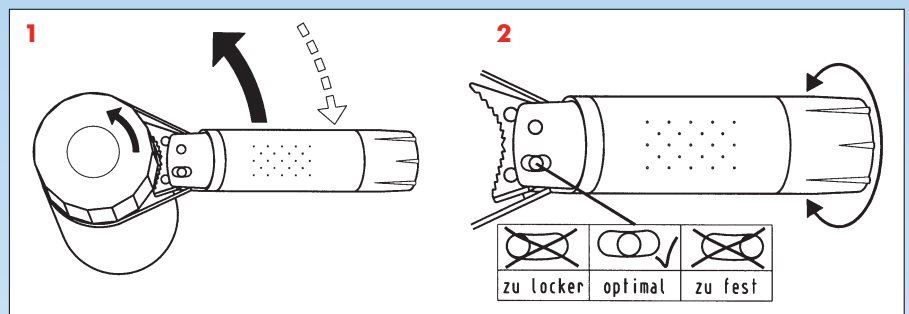


Oil Filter Ratchet Wrench

Art. No. 0714 57 14

Allows quick and simple changing of oil filter due to ratchet feature.

- The toothed, hinged yoke creates a ratchet effect on the oil filter housing.
→ Minimal turning angle of just 5° makes working in tight spaces easier (1).
- The adjustment aid automatically indicates the optimal preload setting.
→ Thus, the best setting for ratchet action is always available (2).
- Ergonomically shaped handle.
→ for fatigue-free work.



The ratchet principle permits quick and comfortable changing of oil filters, even in very tight spaces

The optimal preload is set when the pin is in the center of the slot.

Technical Data

Length	280 mm
Clamping width	Ø 66-106 mm
Clamping strap	stainless steel

Clamping strap can only be replaced by the factory.