

## Circlip Pliers for Shafts

Standard: DIN 5254

Handle: plastic-coated

→ slip-proof

Pliers: chrome vanadium steel, forged

Head: chrome-plated

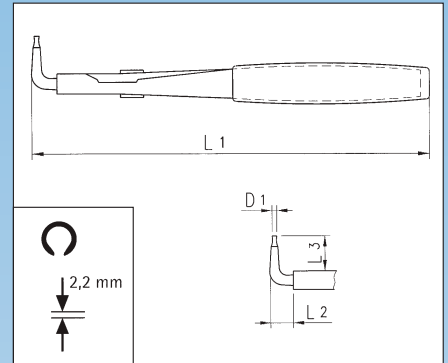
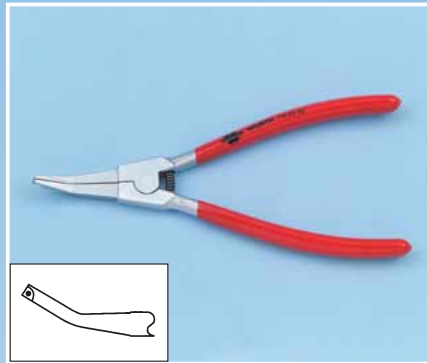
Joint: lap joint, spring-loaded

Opening spring

Gripping surfaces: parallel

### Application:

Assembly of horseshoe-shaped circlips, circlips from  $\varnothing$  12 mm, e.g. Cardan shaft circlips.



L1		Form	$\varnothing$ mm	L2 mm	L3 mm	Art. No.		
mm	inch							
200	8		< ca. 27°	> 12	45	10	<b>0715 02 20</b>	1

## Revolver Hole Punch Pliers

Handle: plastic-coated

→ slip-proof

Pliers: Steel, galvanized

Hole punches: hardened steel, powder-coated

Opening spring with locking lever

### Application:

Punching holes in paper, carton, leather, fabrics. Rotate the revolving head to select the desired hole diameter.



L1		D2 $\varnothing$ mm	Art. No.	
mm	inch			
220	9	2.0; 2.5; 3.0; 3.5; 4.0; 5.0	<b>0715 05 11</b>	1