

Circlip Pliers for Shaft Circlips

Standard: DIN 5254.

Handle: plastic coated

→ Assures secure grip, anti-slip.

Tips: high-density spring steel.

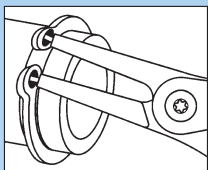
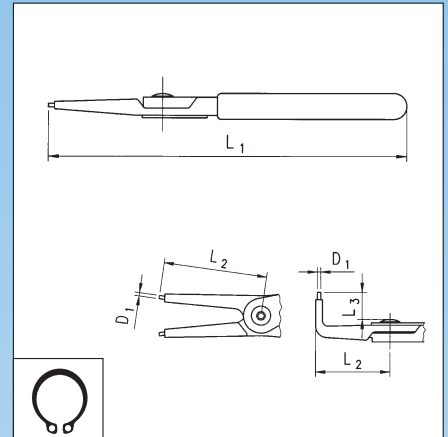
Inserted tips

→ Highest stability when loosening seized circlips and distortion-free installation of circlips.

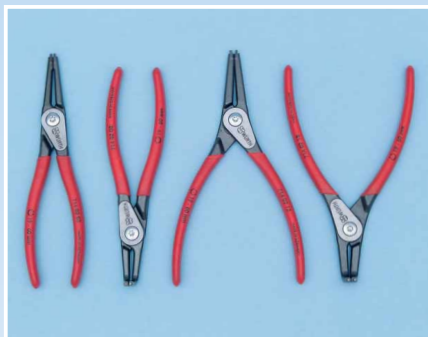
Joint: lay-on and screwed joint.

Application:

Circlip pliers for exterior circlips (shaft).



L1 mm	DIN 5254 Form	Ø mm	D ₁ mm	L ₂ mm	L ₃ mm	Art. No.	
140	A	3 - 10	0.9	39	-	0714 02 11	1
140		10 - 25	1.25	38	-	0714 02 12	
180		19 - 60	1.8	56	-	0714 02 13	
225	B	40 - 100	2.25	70	-	0714 02 14	
320		85 - 140	3.2	92	-	0714 02 15	
130	B	3 - 10	0.9	27	12	0714 02 16	
130		10 - 25	1.25	27	12	0714 02 17	
165		19 - 60	1.8	40	15	0714 02 18	
210		40 - 100	2.25	55	16	0714 02 19	
305		85 - 140	3.2	73	20	0714 02 20	



Set of Circlip Pliers

Art. No. 0714 02 30

Designation	Art. No.	Designation	Art. No.	
Form C, 19 - 60 mm	0714 02 03	Form A, 19 - 60 mm	0714 02 13	1
Form D, 19 - 60 mm	0714 02 08	Form B, 19 - 60 mm	0714 02 18	

Art. No. 0714 02 31

Designation	Art. No.	Designation	Art. No.	
Form C, 12 - 25 mm	0714 02 02	Form A, 10 - 25 mm	0714 02 12	1
Form C, 19 - 60 mm	0714 02 03	Form A, 19 - 60 mm	0714 02 13	

Art. No. 0714 02 32

Designation	Art. No.	Designation	Art. No.	
Form D, 12 - 25 mm	0714 02 07	Form B, 10 - 25 mm	0714 02 17	1
Form D, 19 - 60 mm	0714 02 08	Form B, 19 - 60 mm	0714 02 18	