

# Precision Circlip Pliers for Shaft and Bore Circlips



### Large contact surfaces

→ Distortion-free installation of circlips.

### Positive attachment of inserted circlips

→ Loss-proof tips.

### Tip made from high-density spring steel

→ Highest stability, even with stuck circlips.

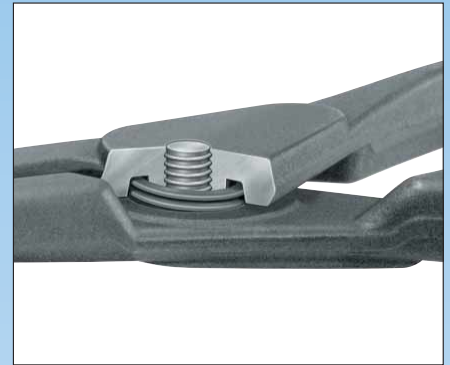


### Plier head

→ Slim form for optimal access to the workpiece, even in tight spots.

### Handle sleeve

→ Anti-slip sleeve assures secure grip.



### Inside spring (external circlip pliers)

→ Lies protected inside screwed joint.

→ Does not impair handling.

→ Cannot collect dirt or get lost.

### Screwed joint

→ High precision and smooth operation.

## Circlip Pliers for Bore Circlips

Standard: DIN 5256.

Handle: plastic coated

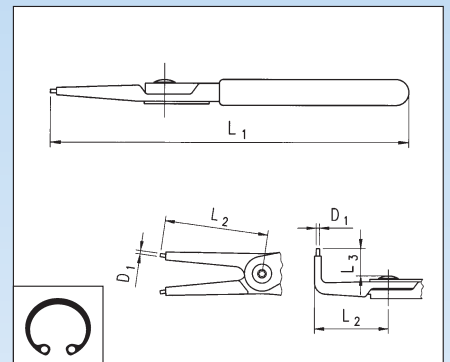
→ Assures secure grip, anti-slip.

Tips: high-density spring steel.

Inserted tips

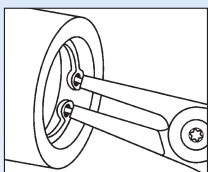
→ Highest stability when loosening seized circlips and distortion-free installation of circlips.

Joint: lay-on and screwed joint.



### Application:

Circlip pliers for interior circlips (bore).



L1 mm	DIN 5256 Form	$\varnothing$ mm	D <sub>1</sub> $\varnothing$ mm	L <sub>2</sub> mm	L <sub>3</sub> mm	Art. No.	
140	C 	8 - 13	0.9	39	-	0714 02 01	1
140		12 - 25	1.25	38	-	0714 02 02	
180		19 - 60	1.8	54	-	0714 02 03	
225		40 - 100	2.25	65	-	0714 02 04	
320		85 - 140	3.2	91	-	0714 02 05	
130	D 	8 - 13	0.9	26	12	0714 02 06	
130		12 - 25	1.25	26	12	0714 02 07	
165		19 - 60	1.8	40	14	0714 02 08	
210		40 - 100	2.25	49	16	0714 02 09	
305		85 - 140	3.2	73	20	0714 02 10	