

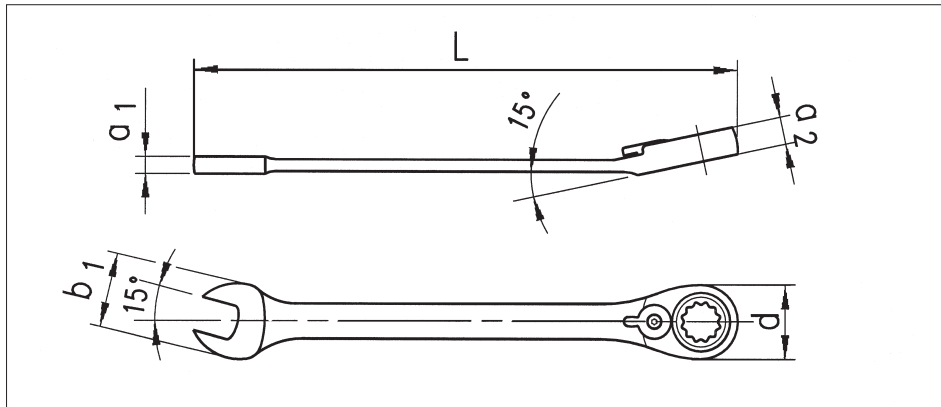
MULTI-RATCHET COMBINATION WRENCH SET



- Drive: Ring side double-hex, fine-toothed, 72 teeth with reversing lever for clockwise and counter-clockwise running
- Material: Chrome vanadium steel
- Surface: Chrome-plated, high-gloss polished
- Geometry: Jaw position 15°
- Ring side angled down 15°
- Strong heads for heavy loading

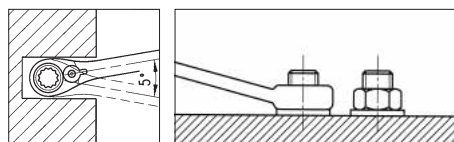
Attention: It is a special tool, and therefore the ring side is only conditionally suitable for loosening bolts.

Use: Loosening bolts with the jaw side. Screwing on with the ratchet mechanism of the ring side.



Multi-profile	Possible Uses										Art. No.	P. Qty.
	Hex/Double-hex	Hex	Outer TX	Square	L	a1	a2	dia. d	b1			
in mm	in mm	in inches	TX	in mm	in mm	in mm	in mm	in mm	in mm			
6	6	-	E 8	5	115	3,9	6,55	15,8	16,4	0714 256 06	1	
7	7	3/32"	-	-	125	3,9	6,55	16,5	16,4	0714 256 07	1	
8	8	5/16"	E 10	-	135	4,0	6,55	17,8	17,7	0714 256 08	1	
9	9	11/32"	-	-	150	4,0	7,45	19,5	20,0	0714 256 09	1	
10	10	3/8"	E 12	8	160	5,0	8,05	21,5	21,9	0714 256 10	1	
11	11	7/16"	E 14	9	170	5,5	8,55	22,0	23,9	0714 256 11	1	
12	12	15/32"	E 16	10	175	5,5	9,05	23,5	25,0	0714 256 12	1	
13	13	1/2"	-	-	180	6,3	10,05	25,0	25,9	0714 256 13	1	
14	14	9/16"	E 18	-	190	6,5	10,05	27,0	29,9	0714 256 14	1	
15	15	19/32"	-	12	200	7,0	11,05	28,5	31,1	0714 256 15	1	
16	16	5/8"	E 20	13	210	7,0	11,05	30,5	33,7	0714 256 16	1	
17	17	-	-	14	230	7,0	12,05	32,0	36,5	0714 256 17	1	
18	18	-	E 22	-	240	8,0	12,05	34,5	38,5	0714 256 18	1	
19	19	3/4"	E 24	-	250	8,7	12,95	36,5	38,7	0714 256 19	1	
21	21	13/16"	-	17	266	9,6	13,60	39,2	43,2	0714 256 21	1	
22	22	7/8"	E 26	18	286	9,6	14,40	41,5	46,2	0714 256 22	1	
24	24	15/16"	E 28	19	309	11,6	15,50	46,2	49,9	0714 256 24	1	

Multi-profile, that fits on the five most common bolt head drives! Hex metric, square metric, double-hex metric, hex inch, outer TX.



The 15° angle of the ring spanner enables more clearance for fingers or for overcoming obstacles.



Multi-Ratchet Combination Wrench Set			
Set	in mm	Art. No.	P. Qty.
6	8, 10, 12, 13, 17, 19	0714 256 50	1