

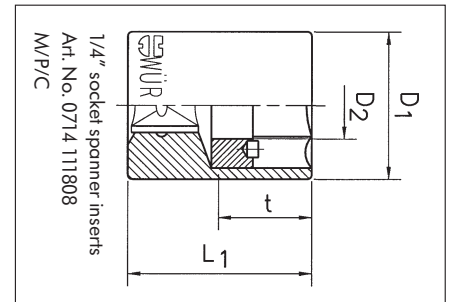
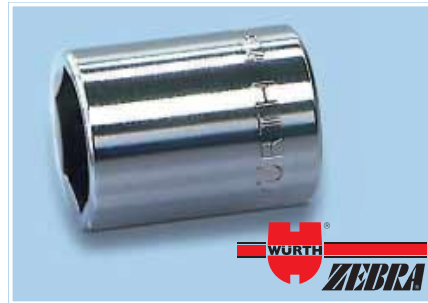
# Socket Spanners with Magnets

for securely holding nuts and screws in the drive tool. Particularly suitable for use in inaccessible places.

## 1/4" socket wrench inserts

### Hexagonal drive with magnets

- Bright chrome-plated.
- Neodym magnets for holding nuts and screws.
- Inside holes for projecting threaded shanks.

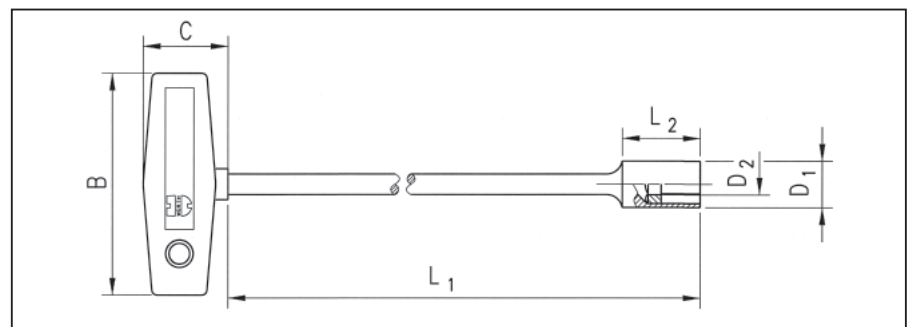
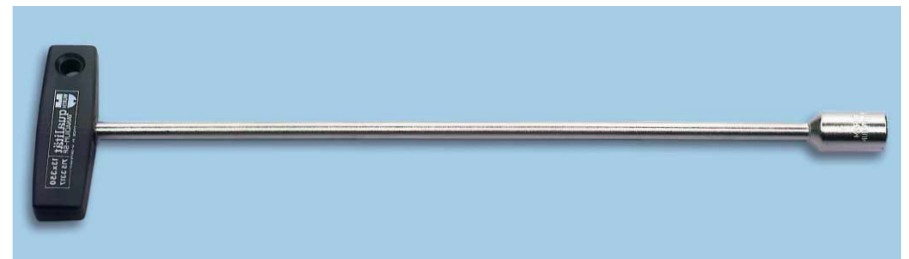


in mm	D <sub>1</sub> in mm	L <sub>1</sub> in mm	D <sub>2</sub> in mm	t in mm	Art. No.	
8	11,9	22	5,0	8,1	0714 111 808	1
10	14,6	22	6,1	8,1	0714 111 810	
11	15,7	22	7,1	8,1	0714 111 811	
12	16,9	22	8,1	8,1	0714 111 812	
13	17,6	22	8,1	8,1	0714 111 813	

## Socket Spanner Screwdriver with T-Handle

### Hexagonal drive with magnets

- Chrome vanadium steel
- Bright nickel-plated.
- Impact-resistant plastic handle.
- Neodym magnets for holding nuts and screws.
- Inside holes for projecting threaded shanks.



in mm	D <sub>1</sub> in mm	L <sub>1</sub> in mm	D <sub>2</sub> in mm	W in mm	C in mm	Art. No.	
8	12	350	5,0	86	34	0715 33 121	1
10	15	350	6,1	86	34	0715 33 141	
12	17	350	8,1	86	34	0715 33 161	
13	18	350	8,1	86	34	0715 33 171	