

Double-Ring Spanner

Design: metric, open, union nut spanner.

Drive: POWERDRIV®

7 x 9 to 12 x 14 mm in hex.,
14 x 17 to 30 x 32 mm in double hex.

Standard: DIN 3118.

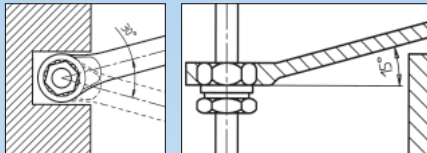
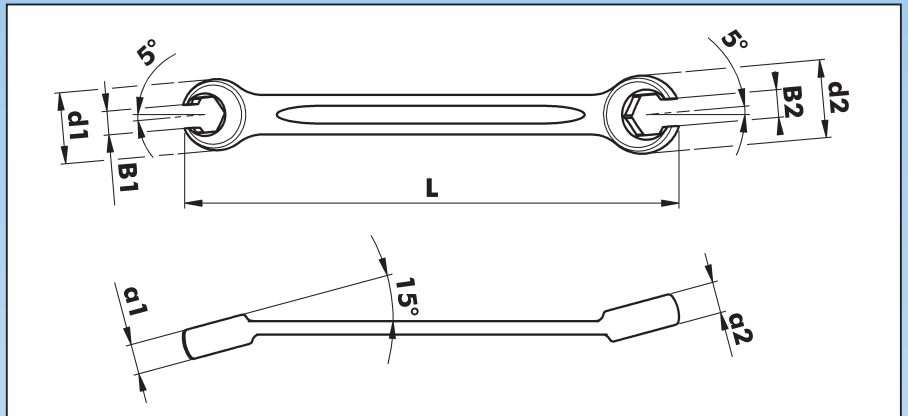
Material: chrome-vanadium-steel.

Surface: chrome-plated, heads are polished.

Geometry: ring sides angled 15°, rings angled 5°.

Application:

Tightening and loosening union nuts and pipe screw joints.



The shaft angled at 15° enables better access.

	L	a ₁	a ₂	Dia. d ₁	Dia. d ₂	B ₁ min.	B ₂ min.	Art. No.	
in mm	in mm	in mm	in mm	in mm	in mm	in mm	in mm		
7 x 9	140	6.5	7.5	17.8	19.3	5	7	0714 240 079	1
8 x 10	140	6.5	7.5	17.8	19.3	6	7	0714 240 080	
10 x 11	153	8	8.5	19.4	21.4	7	9	0714 240 101	
11 x 13	174	8.5	10.5	22.8	25.3	9	11	0714 240 113	
12 x 14	174	8.5	10.5	22.8	25.3	9	11	0714 240 124	
14 x 17	195	11	12.5	27.4	31.4	11	14	0714 240 147	
16 x 18	212	12	13	31.2	33.3	14	15	0714 240 168	
17 x 19	212	12	13	31.2	33.3	14	15	0714 240 179	
22 x 24	242	15	16	38.5	42	17	18	0714 240 224	
24 x 27	259	16	17	42.6	46.6	18	20	0714 240 247	
30 x 32	297	19	20.5	50.6	52.6	22	24	0714 240 302	

Open double-ring spanner set



Set	in mm	in mm	Art. No.	
5 pcs.	7 x 9, 8 x 10, 11 x 13, 12 x 14, 17 x 19		0714 240 50	1

