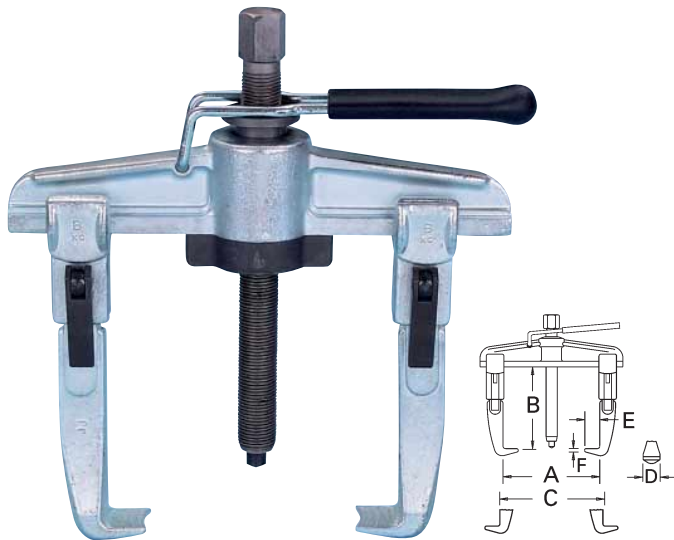


UNIVERSAL, QUICK-ADJUSTMENT PULLER

Twin-leg universal puller with revolutionary quick-adjustment system for efficient working. Can be used as external and internal puller.

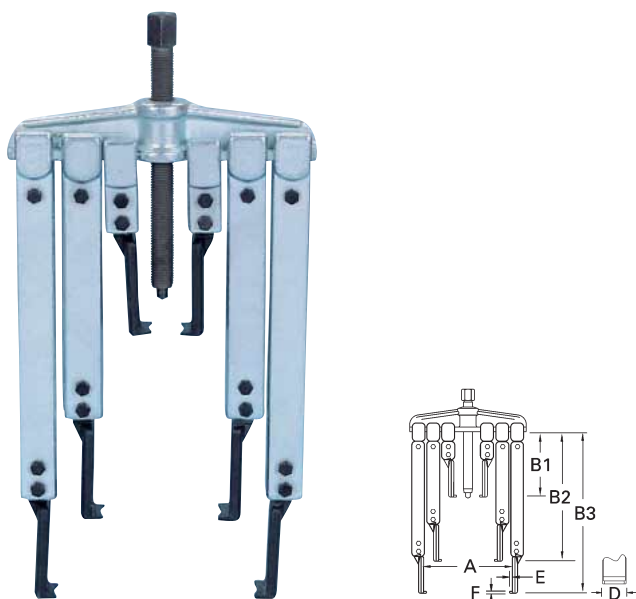


- Eliminates inconvenient screwing in and screwing out of the spindle. Hold the puller with one hand and actuate the clamping bracket. Push the spindle into the required position. When the clamping bracket is released, the split female thread closes. The spindle can now bear the full working pressure.
- **Huge time and, therefore, cost savings in contrast to conventional tools.**
- Clamping fixtures quickly fasten the pullers to the required transverse positions.
- **Time-consuming process of screwing in the hook mounting is no longer necessary.**
- Die-forged cross-member and hooks.
- Gas nitrocarburised spindle.
- Precision-milled feet are reliable and gentle at reaching behind parts being pulled.

A in mm	B in mm	C in mm	mm		mm	D in mm	E in mm	F in mm	max. t	Art. no.	PU/Qty.
200	150	140-260	G 1/2"	L mm	mm	30	18	3.5	5	0714 521 200	1

UNIVERSAL PULLER

Three twin-leg pullers in one.



- The set enables users to create three pullers that can be adjusted to suitable clamping depths according to the application.
- **Maximum economy.**
- Long, narrow hook geometry is particularly suitable for hard-to-reach places.
- **Versatile applications, even in cramped spaces.**
- Die-forged cross-member and hooks.
- Gas nitrocarburised spindle.
- Precision-milled feet are reliable and gentle at reaching behind parts being pulled.

A in mm	B 1 mm	B 2 mm	B 3 mm	mm		mm	D in mm	E in mm	F in mm	max. t	Art. no.	PU/Qty.
130	100	200	250	M14 x 1.5	L mm	mm	27	6	3.6	2.5	0714 52 50	1