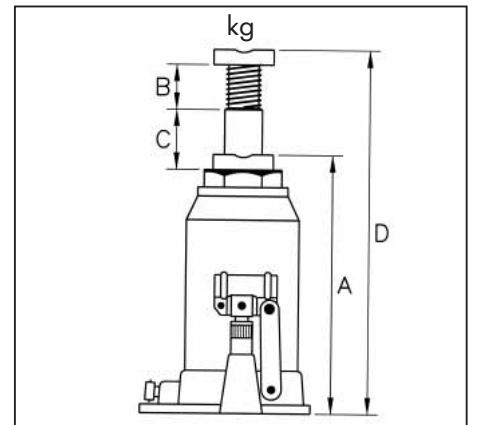




Hydraulic Car Jack

- Heavy duty design.
- 3-arm pumplever, 700 mm long.
- With pressure relief valve.
- GS approved according to VBG 8.
- Approved by:
Ford, Mercedes-Benz, Renault,
Iveco-Fiat, Iveco-Magirus, VW, DAF,
MAN, Faun, Kässbohrer, Scania.



A mm	B mm	C mm	D mm	kg	Art. No.	Pack Qty.
170	92	115	377	2,000	0715 54 20	1
212	100	150	462	5,000	0715 54 21	
220	110	150	480	10,000	0715 54 22	
240	110	155	505	20,000	0715 54 23	

A = min. height B = adjustable spindle C = hydraulic height D = max. height



Axle Stands

- Heavy duty design.
- 5-fold adjustable.

Lowest position mm	Highest position mm	Load capacity kg	Art. No.	Pack Qty.
425	680	1,500	0691 800 051	1
330	530	3,000	0691 800 052	
380	580	5,000	0691 800 053	
380	595	8,000	0691 800 054	