

Special Plumbing Wrench

Standard: similar to DIN 3110, ISO 1085

Material: chrome-vanadium-steel

Surface: chrome-plated, heads are polished

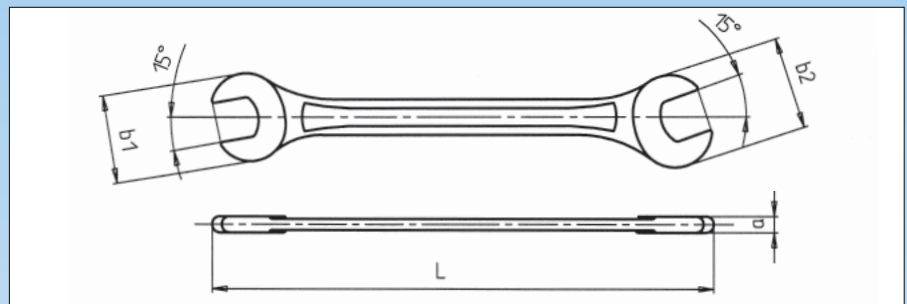
Geometry: jaw position of 15°

Middle piece: with M 10 female thread can be adjusted and locked integrated ball seat

→ Ensures easy detachment of the wrench from the stud screw.

Application:

Mounting wrench for express and stud screws, wash stand attachment and corner valve mounting.



in mm	L in mm	b 1 in mm	b 2 in mm	a in mm	Art. No.	
17 x 19	215	40	42	7	0715 43 012	1

Four-Way Socket Wrench

Drive: external hexagon

10-3/8", 12-1/2", 17-3/4" and 22-1"

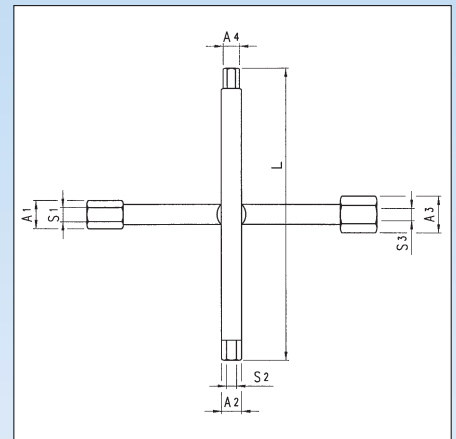
Female thread M 8, M 10, M 12

Design: powder-coated, red.

Applications:

valve extensions, radiator valves and return screw joints, stud screws, threaded bolts and external hexagon.

* With grub screw for setting the screw-in depth.



L in mm	A 1 / S 1 in mm	A 2 / S 2 in mm	A 3 / S 3 in mm	A 4 in mm	Art. No.	
200	17 / M 10	12 / M 8*	22 / M 12	8	0715 16 10	1



For valve extensions of 3/8", 1/2", 3/4", 1"



For stud screws



For building plugs