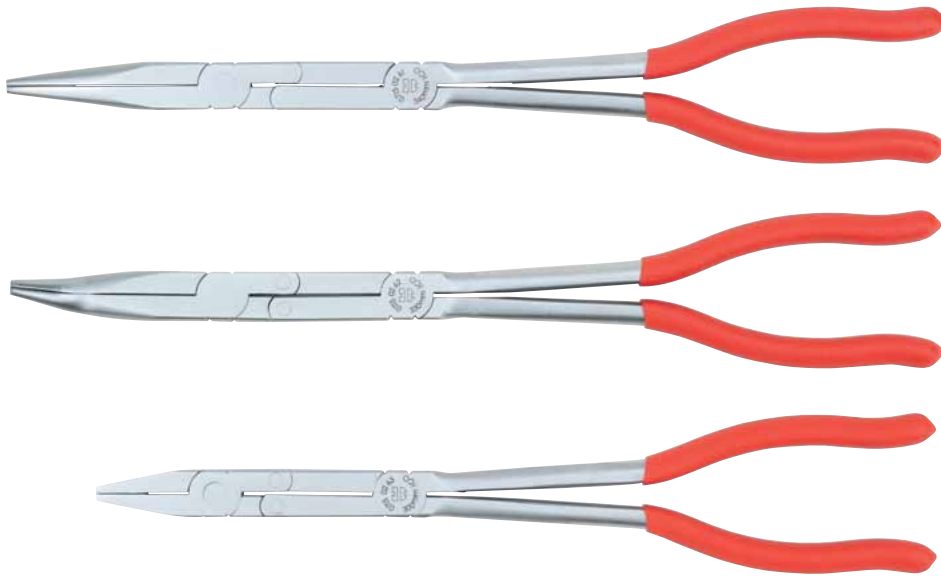


DOUBLE-JOINTED PLIERS SET



Previously unknown ranges, for working on especially hard-to-reach places, 3-piece.

Passage in very narrow areas

Extremely slim design

Wide opening of pliers with minimal handle movement

Special double joint

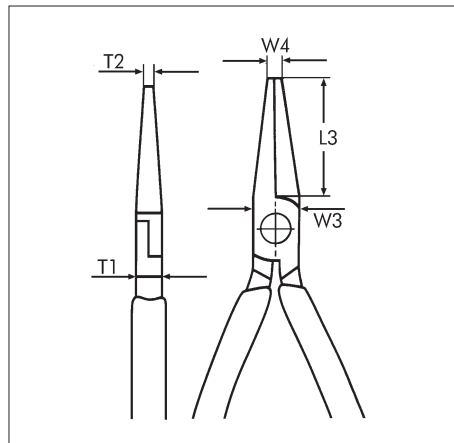
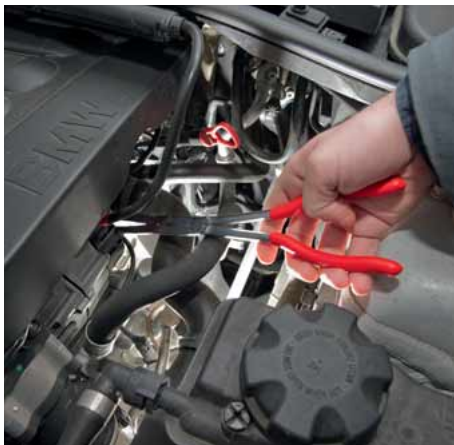
Optimum corrosion protection

Matt chrome-plated design

Anti-slip PVC handle sleeves

Art. No. 0715 02 600

P.Qty. 1



Set contents:

L in mm	L in inches		Design	L3 in mm	T1 in mm	T2 in mm	W3 in mm	W4 in mm	Art. No.	P.Qty.
340	13 1/2		straight	70		3		4.5	0715 02 61	
330	13		angled 40°	65	10	3	17	4.5	0715 02 62	1
300	12		straight	32		10		6	0715 02 63	

Area of application:

- Gripping and removing objects in assemblies
- Service, repair and maintenance on engines and subassemblies
- Installation and removal of cables, pipe and plug connections